

1

2

<p>3</p>	<p>4</p>
<p>5</p> <p>(IUL)266-PR/266/2024/135</p> <p>6</p>	<p>7</p> <p>8.1</p>
<p>9</p> <p>10:30</p> <p>11</p> <p>12</p> <p>13</p>	<p>14</p> <p>15</p> <p>16</p>
<p>17</p> <p>18</p> <p>19</p> <p>20</p> <p>21</p>	<p>22</p> <p>23</p> <p>24</p>
<p>25</p> <p>26</p> <p>27</p> <p>28</p> <p>29</p> <p>30</p> <p>31</p> <p>32</p> <p>33</p> <p>34</p> <p>35</p> <p>36</p> <p>37</p> <p>38</p> <p>39</p> <p>40</p> <p>41</p> <p>42</p> <p>43</p> <p>44</p> <p>45</p> <p>46</p> <p>47</p> <p>48</p> <p>49</p> <p>50</p> <p>51</p> <p>52</p> <p>53</p> <p>54</p> <p>55</p> <p>56</p> <p>57</p> <p>58</p> <p>59</p> <p>60</p> <p>61</p> <p>62</p> <p>63</p> <p>64</p> <p>65</p> <p>66</p> <p>67</p> <p>68</p> <p>69</p> <p>70</p> <p>71</p> <p>72</p> <p>73</p> <p>74</p> <p>75</p> <p>76</p> <p>77</p> <p>78</p> <p>79</p> <p>80</p> <p>81</p> <p>82</p> <p>83</p> <p>84</p> <p>85</p> <p>86</p> <p>87</p> <p>88</p> <p>89</p> <p>90</p> <p>91</p> <p>92</p> <p>93</p> <p>94</p> <p>95</p> <p>96</p> <p>97</p> <p>98</p> <p>99</p> <p>100</p>	<p>101</p> <p>102</p> <p>103</p> <p>104</p> <p>105</p> <p>106</p> <p>107</p> <p>108</p> <p>109</p> <p>110</p> <p>111</p> <p>112</p> <p>113</p> <p>114</p> <p>115</p> <p>116</p> <p>117</p> <p>118</p> <p>119</p> <p>120</p> <p>121</p> <p>122</p> <p>123</p> <p>124</p> <p>125</p> <p>126</p> <p>127</p> <p>128</p> <p>129</p> <p>130</p> <p>131</p> <p>132</p> <p>133</p> <p>134</p> <p>135</p> <p>136</p> <p>137</p> <p>138</p> <p>139</p> <p>140</p> <p>141</p> <p>142</p> <p>143</p> <p>144</p> <p>145</p> <p>146</p> <p>147</p> <p>148</p> <p>149</p> <p>150</p> <p>151</p> <p>152</p> <p>153</p> <p>154</p> <p>155</p> <p>156</p> <p>157</p> <p>158</p> <p>159</p> <p>160</p> <p>161</p> <p>162</p> <p>163</p> <p>164</p> <p>165</p> <p>166</p> <p>167</p> <p>168</p> <p>169</p> <p>170</p> <p>171</p> <p>172</p> <p>173</p> <p>174</p> <p>175</p> <p>176</p> <p>177</p> <p>178</p> <p>179</p> <p>180</p> <p>181</p> <p>182</p> <p>183</p> <p>184</p> <p>185</p> <p>186</p> <p>187</p> <p>188</p> <p>189</p> <p>190</p> <p>191</p> <p>192</p> <p>193</p> <p>194</p> <p>195</p> <p>196</p> <p>197</p> <p>198</p> <p>199</p> <p>200</p>
<p>201</p>	<p>202</p>
<p>203</p> <p>204</p> <p>205</p> <p>206</p> <p>207</p> <p>208</p> <p>209</p> <p>210</p> <p>211</p> <p>212</p> <p>213</p> <p>214</p> <p>215</p> <p>216</p> <p>217</p> <p>218</p> <p>219</p> <p>220</p> <p>221</p> <p>222</p> <p>223</p> <p>224</p> <p>225</p> <p>226</p> <p>227</p> <p>228</p> <p>229</p> <p>230</p> <p>231</p> <p>232</p> <p>233</p> <p>234</p> <p>235</p> <p>236</p> <p>237</p> <p>238</p> <p>239</p> <p>240</p> <p>241</p> <p>242</p> <p>243</p> <p>244</p> <p>245</p> <p>246</p> <p>247</p> <p>248</p> <p>249</p> <p>250</p> <p>251</p> <p>252</p> <p>253</p> <p>254</p> <p>255</p> <p>256</p> <p>257</p> <p>258</p> <p>259</p> <p>260</p> <p>261</p> <p>262</p> <p>263</p> <p>264</p> <p>265</p> <p>266</p> <p>267</p> <p>268</p> <p>269</p> <p>270</p> <p>271</p> <p>272</p> <p>273</p> <p>274</p> <p>275</p> <p>276</p> <p>277</p> <p>278</p> <p>279</p> <p>280</p> <p>281</p> <p>282</p> <p>283</p> <p>284</p> <p>285</p> <p>286</p> <p>287</p> <p>288</p> <p>289</p> <p>290</p> <p>291</p> <p>292</p> <p>293</p> <p>294</p> <p>295</p> <p>296</p> <p>297</p> <p>298</p> <p>299</p> <p>300</p>	<p>301</p> <p>302</p> <p>303</p> <p>304</p> <p>305</p> <p>306</p> <p>307</p> <p>308</p> <p>309</p> <p>310</p> <p>311</p> <p>312</p> <p>313</p> <p>314</p> <p>315</p> <p>316</p> <p>317</p> <p>318</p> <p>319</p> <p>320</p> <p>321</p> <p>322</p> <p>323</p> <p>324</p> <p>325</p> <p>326</p> <p>327</p> <p>328</p> <p>329</p> <p>330</p> <p>331</p> <p>332</p> <p>333</p> <p>334</p> <p>335</p> <p>336</p> <p>337</p> <p>338</p> <p>339</p> <p>340</p> <p>341</p> <p>342</p> <p>343</p> <p>344</p> <p>345</p> <p>346</p> <p>347</p> <p>348</p> <p>349</p> <p>350</p> <p>351</p> <p>352</p> <p>353</p> <p>354</p> <p>355</p> <p>356</p> <p>357</p> <p>358</p> <p>359</p> <p>360</p> <p>361</p> <p>362</p> <p>363</p> <p>364</p> <p>365</p> <p>366</p> <p>367</p> <p>368</p> <p>369</p> <p>370</p> <p>371</p> <p>372</p> <p>373</p> <p>374</p> <p>375</p> <p>376</p> <p>377</p> <p>378</p> <p>379</p> <p>380</p> <p>381</p> <p>382</p> <p>383</p> <p>384</p> <p>385</p> <p>386</p> <p>387</p> <p>388</p> <p>389</p> <p>390</p> <p>391</p> <p>392</p> <p>393</p> <p>394</p> <p>395</p> <p>396</p> <p>397</p> <p>398</p> <p>399</p> <p>400</p>
<p>401</p> <p>402</p> <p>403</p> <p>404</p> <p>405</p> <p>406</p> <p>407</p> <p>408</p> <p>409</p> <p>410</p> <p>411</p> <p>412</p> <p>413</p> <p>414</p> <p>415</p> <p>416</p> <p>417</p> <p>418</p> <p>419</p> <p>420</p> <p>421</p> <p>422</p> <p>423</p> <p>424</p> <p>425</p> <p>426</p> <p>427</p> <p>428</p> <p>429</p> <p>430</p> <p>431</p> <p>432</p> <p>433</p> <p>434</p> <p>435</p> <p>436</p> <p>437</p> <p>438</p> <p>439</p> <p>440</p> <p>441</p> <p>442</p> <p>443</p> <p>444</p> <p>445</p> <p>446</p> <p>447</p> <p>448</p> <p>449</p> <p>450</p> <p>451</p> <p>452</p> <p>453</p> <p>454</p> <p>455</p> <p>456</p> <p>457</p> <p>458</p> <p>459</p> <p>460</p> <p>461</p> <p>462</p> <p>463</p> <p>464</p> <p>465</p> <p>466</p> <p>467</p> <p>468</p> <p>469</p> <p>470</p> <p>471</p> <p>472</p> <p>473</p> <p>474</p> <p>475</p> <p>476</p> <p>477</p> <p>478</p> <p>479</p> <p>480</p> <p>481</p> <p>482</p> <p>483</p> <p>484</p> <p>485</p> <p>486</p> <p>487</p> <p>488</p> <p>489</p> <p>490</p> <p>491</p> <p>492</p> <p>493</p> <p>494</p> <p>495</p> <p>496</p> <p>497</p> <p>498</p> <p>499</p> <p>500</p>	<p>501</p> <p>502</p> <p>503</p> <p>504</p> <p>505</p> <p>506</p> <p>507</p> <p>508</p> <p>509</p> <p>510</p> <p>511</p> <p>512</p> <p>513</p> <p>514</p> <p>515</p> <p>516</p> <p>517</p> <p>518</p> <p>519</p> <p>520</p> <p>521</p> <p>522</p> <p>523</p> <p>524</p> <p>525</p> <p>526</p> <p>527</p> <p>528</p> <p>529</p> <p>530</p> <p>531</p> <p>532</p> <p>533</p> <p>534</p> <p>535</p> <p>536</p> <p>537</p> <p>538</p> <p>539</p> <p>540</p> <p>541</p> <p>542</p> <p>543</p> <p>544</p> <p>545</p> <p>546</p> <p>547</p> <p>548</p> <p>549</p> <p>550</p> <p>551</p> <p>552</p> <p>553</p> <p>554</p> <p>555</p> <p>556</p> <p>557</p> <p>558</p> <p>559</p> <p>560</p> <p>561</p> <p>562</p> <p>563</p> <p>564</p> <p>565</p> <p>566</p> <p>567</p> <p>568</p> <p>569</p> <p>570</p> <p>571</p> <p>572</p> <p>573</p> <p>574</p> <p>575</p> <p>576</p> <p>577</p> <p>578</p> <p>579</p> <p>580</p> <p>581</p> <p>582</p> <p>583</p> <p>584</p> <p>585</p> <p>586</p> <p>587</p> <p>588</p> <p>589</p> <p>590</p> <p>591</p> <p>592</p> <p>593</p> <p>594</p> <p>595</p> <p>596</p> <p>597</p> <p>598</p> <p>599</p> <p>600</p>
<p>601</p>	<p>602</p>
<p>603</p> <p>604</p> <p>605</p> <p>606</p> <p>607</p> <p>608</p> <p>609</p> <p>610</p> <p>611</p> <p>612</p> <p>613</p> <p>614</p> <p>615</p> <p>616</p> <p>617</p> <p>618</p> <p>619</p> <p>620</p> <p>621</p> <p>622</p> <p>623</p> <p>624</p> <p>625</p> <p>626</p> <p>627</p> <p>628</p> <p>629</p> <p>630</p> <p>631</p> <p>632</p> <p>633</p> <p>634</p> <p>635</p> <p>636</p> <p>637</p> <p>638</p> <p>639</p> <p>640</p> <p>641</p> <p>642</p> <p>643</p> <p>644</p> <p>645</p> <p>646</p> <p>647</p> <p>648</p> <p>649</p> <p>650</p> <p>651</p> <p>652</p> <p>653</p> <p>654</p> <p>655</p> <p>656</p> <p>657</p> <p>658</p> <p>659</p> <p>660</p> <p>661</p> <p>662</p> <p>663</p> <p>664</p> <p>665</p> <p>666</p> <p>667</p> <p>668</p> <p>669</p> <p>670</p> <p>671</p> <p>672</p> <p>673</p> <p>674</p> <p>675</p> <p>676</p> <p>677</p> <p>678</p> <p>679</p> <p>680</p> <p>681</p> <p>682</p> <p>683</p> <p>684</p> <p>685</p> <p>686</p> <p>687</p> <p>688</p> <p>689</p> <p>690</p> <p>691</p> <p>692</p> <p>693</p> <p>694</p> <p>695</p> <p>696</p> <p>697</p> <p>698</p> <p>699</p> <p>700</p>	<p>701</p> <p>702</p> <p>703</p> <p>704</p> <p>705</p> <p>706</p> <p>707</p> <p>708</p> <p>709</p> <p>710</p> <p>711</p> <p>712</p> <p>713</p> <p>714</p> <p>715</p> <p>716</p> <p>717</p> <p>718</p> <p>719</p> <p>720</p> <p>721</p> <p>722</p> <p>723</p> <p>724</p> <p>725</p> <p>726</p> <p>727</p> <p>728</p> <p>729</p> <p>730</p> <p>731</p> <p>732</p> <p>733</p> <p>734</p> <p>735</p> <p>736</p> <p>737</p> <p>738</p> <p>739</p> <p>740</p> <p>741</p> <p>742</p> <p>743</p> <p>744</p> <p>745</p> <p>746</p> <p>747</p> <p>748</p> <p>749</p> <p>750</p> <p>751</p> <p>752</p> <p>753</p> <p>754</p> <p>755</p> <p>756</p> <p>757</p> <p>758</p> <p>759</p> <p>760</p> <p>761</p> <p>762</p> <p>763</p> <p>764</p> <p>765</p> <p>766</p> <p>767</p> <p>768</p> <p>769</p> <p>770</p> <p>771</p> <p>772</p> <p>773</p> <p>774</p> <p>775</p> <p>776</p> <p>777</p> <p>778</p> <p>779</p> <p>780</p> <p>781</p> <p>782</p> <p>783</p> <p>784</p> <p>785</p> <p>786</p> <p>787</p> <p>788</p> <p>789</p> <p>790</p> <p>791</p> <p>792</p> <p>793</p> <p>794</p> <p>795</p> <p>796</p> <p>797</p> <p>798</p> <p>799</p> <p>800</p>
<p>801</p>	<p>802</p>

24.2. 2,500,000 (Two million five hundred thousand) (in Maldivian Rufiyaa)

for the purpose of providing financial assistance to the Government of Maldives for the purpose of providing financial assistance to the Government of Maldives.

(a) The Government of Maldives shall provide financial assistance to the Government of Maldives for the purpose of providing financial assistance to the Government of Maldives. The Government of Maldives shall provide financial assistance to the Government of Maldives for the purpose of providing financial assistance to the Government of Maldives.

(b) The Government of Maldives shall provide financial assistance to the Government of Maldives for the purpose of providing financial assistance to the Government of Maldives. The Government of Maldives shall provide financial assistance to the Government of Maldives for the purpose of providing financial assistance to the Government of Maldives.

(c) The Government of Maldives shall provide financial assistance to the Government of Maldives for the purpose of providing financial assistance to the Government of Maldives. The Government of Maldives shall provide financial assistance to the Government of Maldives for the purpose of providing financial assistance to the Government of Maldives.

(d) The Government of Maldives shall provide financial assistance to the Government of Maldives for the purpose of providing financial assistance to the Government of Maldives. The Government of Maldives shall provide financial assistance to the Government of Maldives for the purpose of providing financial assistance to the Government of Maldives.

34.2 የጠቅላይ ሚኒስትር ዳይሬክቶሬት ስልጠናዎችን ለማሟላት የሚያስፈልጉትን ሰነድ ለማቅረብ የሚችሉበት ሰዓት ለማድረግ ለሚገባበት ሰዓት ይደረግ።

የጠቅላይ ሚኒስትር ዳይሬክቶሬት ስልጠናዎችን ለማሟላት የሚያስፈልጉትን ሰነድ ለማቅረብ የሚችሉበት ሰዓት ለማድረግ ለሚገባበት ሰዓት ይደረግ።

የጠቅላይ ሚኒስትር ዳይሬክቶሬት ስልጠናዎችን ለማሟላት የሚያስፈልጉትን ሰነድ ለማቅረብ የሚችሉበት ሰዓት ለማድረግ ለሚገባበት ሰዓት ይደረግ።

(1) ለጠቅላይ ሚኒስትር ዳይሬክቶሬት ስልጠናዎች ለማሟላት የሚያስፈልጉትን ሰነድ ለማቅረብ የሚችሉበት ሰዓት ለማድረግ ለሚገባበት ሰዓት ይደረግ።

(2) ለጠቅላይ ሚኒስትር ዳይሬክቶሬት ስልጠናዎች ለማሟላት የሚያስፈልጉትን ሰነድ ለማቅረብ የሚችሉበት ሰዓት ለማድረግ ለሚገባበት ሰዓት ይደረግ።

34.3 የጠቅላይ ሚኒስትር ዳይሬክቶሬት ስልጠናዎችን ለማሟላት የሚያስፈልጉትን ሰነድ ለማቅረብ የሚችሉበት ሰዓት ለማድረግ ለሚገባበት ሰዓት ይደረግ።

35.1 የጠቅላይ ሚኒስትር ዳይሬክቶሬት ስልጠናዎችን ለማሟላት የሚያስፈልጉትን ሰነድ ለማቅረብ የሚችሉበት ሰዓት ለማድረግ ለሚገባበት ሰዓት ይደረግ።

(ሀ) ለጠቅላይ ሚኒስትር ዳይሬክቶሬት ስልጠናዎች ለማሟላት የሚያስፈልጉትን ሰነድ ለማቅረብ የሚችሉበት ሰዓት ለማድረግ ለሚገባበት ሰዓት ይደረግ።

(ለ) ለጠቅላይ ሚኒስትር ዳይሬክቶሬት ስልጠናዎች ለማሟላት የሚያስፈልጉትን ሰነድ ለማቅረብ የሚችሉበት ሰዓት ለማድረግ ለሚገባበት ሰዓት ይደረግ።

36.1 የጠቅላይ ሚኒስትር ዳይሬክቶሬት ስልጠናዎችን ለማሟላት የሚያስፈልጉትን ሰነድ ለማቅረብ የሚችሉበት ሰዓት ለማድረግ ለሚገባበት ሰዓት ይደረግ።

(ሀ) ለጠቅላይ ሚኒስትር ዳይሬክቶሬት ስልጠናዎች ለማሟላት የሚያስፈልጉትን ሰነድ ለማቅረብ የሚችሉበት ሰዓት ለማድረግ ለሚገባበት ሰዓት ይደረግ።

۹) دے پورے سٹیٹ کے تمام اضلاع میں سڑکیں اور پیدائشی راستے کی تعمیر و مرمت کے لیے بجٹ کی رقمیں مختص کی جائیں گی۔

۱۰) سٹیٹ کے تمام اضلاع میں پبلک سروسز کے لیے زمینوں کی خرید و فروخت کے لیے بجٹ کی رقمیں مختص کی جائیں گی۔

۱۱) سٹیٹ کے تمام اضلاع میں پبلک سروسز کے لیے زمینوں کی خرید و فروخت کے لیے بجٹ کی رقمیں مختص کی جائیں گی۔

۱۲) سٹیٹ کے تمام اضلاع میں پبلک سروسز کے لیے زمینوں کی خرید و فروخت کے لیے بجٹ کی رقمیں مختص کی جائیں گی۔

۱۳) سٹیٹ کے تمام اضلاع میں پبلک سروسز کے لیے زمینوں کی خرید و فروخت کے لیے بجٹ کی رقمیں مختص کی جائیں گی۔

۱۴) 10.28 ویں آرڈیننس کے تحت سٹیٹ کے تمام اضلاع میں پبلک سروسز کے لیے زمینوں کی خرید و فروخت کے لیے بجٹ کی رقمیں مختص کی جائیں گی۔

۱۵) سٹیٹ کے تمام اضلاع میں پبلک سروسز کے لیے زمینوں کی خرید و فروخت کے لیے بجٹ کی رقمیں مختص کی جائیں گی۔

(س) ڈیپارٹمنٹ (س) کے تمام اضلاع میں سڑکیں اور پیدائشی راستے کی تعمیر و مرمت کے لیے بجٹ کی رقمیں مختص کی جائیں گی۔

4 - ސަލާސަތު

ޤަނޫނުގެ

1 - ޤަނޫނު

ބަނޑު ފަތިހުގެ ސަލާސަތުގެ ޤަނޫނުގެ ދަށުން ޤަނޫނު ޤާއިދުކުރާ ޤަނޫނު

ނަންބަރު	ޤަނޫނު	ޤަނޫނުގެ ނަންބަރު	#
ބަނޑު ފަތިހުގެ ސަލާސަތުގެ ޤަނޫނުގެ ދަށުން ޤަނޫނު ޤާއިދުކުރާ ޤަނޫނު			
	✓	ބަނޑު ފަތިހުގެ ސަލާސަތުގެ ޤަނޫނު (ޤަނޫނު 2)	1.
	✓	ބަނޑު ފަތިހުގެ ސަލާސަތުގެ ޤަނޫނުގެ ޤަނޫނު (ޤަނޫނު 2) ގެ ދަށުން ޤަނޫނު ޤާއިދުކުރާ ޤަނޫނު	2.
	✓	ބަނޑު ފަތިހުގެ ސަލާސަތުގެ ޤަނޫނު (ޤަނޫނު 3)	3.
	✓	ބަނޑު ފަތިހުގެ ސަލާސަތުގެ ޤަނޫނުގެ ޤަނޫނު (ޤަނޫނު 4)	4.
	✓	ބަނޑު ފަތިހުގެ ސަލާސަތުގެ ޤަނޫނު (ޤަނޫނު 5)	5.
	✓	6.1 ވަނަ ޤަނޫނުގެ ދަށުން ޤަނޫނު ޤާއިދުކުރާ ޤަނޫނު	6.
	✓	ބަނޑު ފަތިހުގެ ސަލާސަތުގެ ޤަނޫނުގެ ޤަނޫނު (ޤަނޫނު 5) ގެ ދަށުން ޤަނޫނު ޤާއިދުކުރާ ޤަނޫނު	7.
	✓	ބަނޑު ފަތިހުގެ ސަލާސަތުގެ ޤަނޫނު (ޤަނޫނު 8)	8.
ބަނޑު ފަތިހުގެ ސަލާސަތުގެ ޤަނޫނުގެ ދަށުން ޤަނޫނު ޤާއިދުކުރާ ޤަނޫނު			
	✓	ބަނޑު ފަތިހުގެ ސަލާސަތުގެ ޤަނޫނު (ޤަނޫނު 9)	9.
	✓	ބަނޑު ފަތިހުގެ ސަލާސަތުގެ ޤަނޫނުގެ ޤަނޫނު (ޤަނޫނު 5) ގެ ދަށުން ޤަނޫނު ޤާއިދުކުރާ ޤަނޫނު	10.
ބަނޑު ފަތިހުގެ ސަލާސަތުގެ ޤަނޫނުގެ ދަށުން ޤަނޫނު ޤާއިދުކުރާ ޤަނޫނު			
	✓	ބަނޑު ފަތިހުގެ ސަލާސަތުގެ ޤަނޫނު (ޤަނޫނު 11)	11.
	✓	ބަނޑު ފަތިހުގެ ސަލާސަތުގެ ޤަނޫނު (ޤަނޫނު 12)	12.
	✓	ބަނޑު ފަތިހުގެ ސަލާސަތުގެ ޤަނޫނު (ޤަނޫނު 13)	13.
	✓	ބަނޑު ފަތިހުގެ ސަލާސަތުގެ ޤަނޫނު (ޤަނޫނު 14)	14.

2 - 2024

2024

1. 2024	
1.1	2024
1.2	2024
2. 2024	
2.1	2024
2.2	2024
3. 2024	
3.1	2024
	2024
	2024
3.2	2024
4. 2024	
4.1	2024
4.2	2024
4.3	2024
5. 2024	
2024	2024
2024	2024
2024	2024
2024	2024

4 - 4

4

4			
4	4	4	#
4			
4			
4	4	4	#
4			

6

6

<p>90</p>	<p>90</p>	<p>90</p>
<p>90</p>	<p>90</p>	<p>90</p>
<p>100</p>	<p>100</p>	<p>100</p>

ބަޔާންކުރުމުގެ ފޯމް
(ބޭނުންކުރާ ފަރާތްގެ ފަރާތުން)

Form of Bid Security (Bank Guarantee)

WHEREAS,[name of Bidder] (hereinafter called “the Bidder”) [company registration number] has submitted his Bid for the Project no.....issued by the Secretariat of Kulhudhuffushi City Council onfor construction of[name of Contract] (hereinafter called “the Bid”) under Invitation of bidders No. [Announcement Number]

KNOW ALL PEOPLE by these presents that We [name of Bank] of [name of country] having our registered office at (hereinafter called “the Bank”) are bound unto[name of Purchaser] (hereinafter called “the Purchaser”) in the sum of * for which payment well and truly to be made to the said Purchaser, the Bank binds itself, its successors, and assigns by these presents.

SEALED with the Common Seal of the said Bank thisday of20.....

THE CONDITIONS of this obligation are:

- (1) If, after Bid opening, the Bidder withdraws his Bid during the period of Bid validity specified in the Form of Bid; or
(2) If the Bidder having been notified of the acceptance of his Bid by the Purchaser during the period of Bid validity:
(a) fails or refuses to execute the Form of Agreement in accordance with the Instructions to Bidders, if required; or
(b) fails or refuses to furnish the Performance Security, in accordance with the Instruction to Bidders; or
(c) does not accept the correction of the Bid Price pursuant to Clause 27,

* The Bidder should insert the amount of the Guarantee in words and figures denominated in Maldivian Rufiyaa. This figure should be the same as shown in Clause 28.1 of the Instructions to Bidders.

we undertake to pay to the Purchaser up to the above amount upon receipt of his first written demand, without the Purchaser’s having to substantiate his demand, provided that in his demand the Purchaser will note that the amount claimed by him is due to him owing to the occurrence of one or any of the three conditions, specifying the occurred condition or conditions.

This Guarantee will remain in force up to and including the date days after the deadline for submission of bids as such deadline is stated in the Instructions to Bidders or as it may be extended by the Purchaser, notice of which extension(s) to the Bank is hereby waived. Any demand in respect of this Guarantee should reach the Bank not later than the above date.

DATE..... SIGNATURE OF THE BANK

WITNESS SEAL

[signature, name, and address]

6 - المادة

المادة 6 - المادة

المادة 6 - المادة

قانون تنظيم مجلس إدارة المجلس الأعلى للمحكمة الدستورية

1. المادة 6 - المادة

- 1.1 المادة 6 - المادة
- 1.2 المادة 6 - المادة
- 1.3 المادة 6 - المادة
- 1.4 المادة 6 - المادة
- 1.5 المادة 6 - المادة
- 1.6 المادة 6 - المادة
- 1.7 المادة 6 - المادة
- 1.8 المادة 6 - المادة
- 1.9 المادة 6 - المادة
- 1.10 المادة 6 - المادة
- 1.11 المادة 6 - المادة

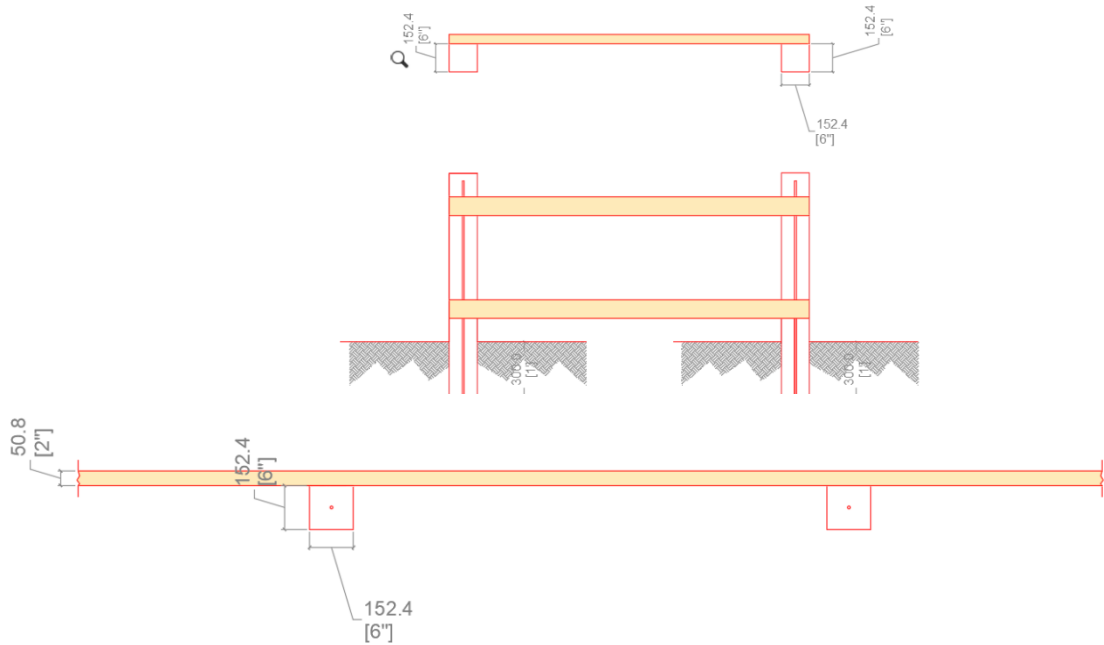


2. ገንዘብ ማግኘትና ማስፈጸም ዘመናዊ ስልጠናዎች

- 2.1 ገንዘብ ማግኘትና ማስፈጸም ስልጠናዎች ማስፈጸም ይገባል።
- 2.2 ገንዘብ ማግኘትና ማስፈጸም ስልጠናዎች ለሌሎች ገንዘብ ማግኘትና ማስፈጸም ስልጠናዎች ሲካተቱ ለሌሎች ገንዘብ ማግኘትና ማስፈጸም ስልጠናዎች ማስፈጸም ይገባል።
- 2.3 ገንዘብ ማግኘትና ማስፈጸም ስልጠናዎች ማስፈጸም ይገባል።
- 2.4 ስልጠናዎች ማስፈጸም ይገባል።
- 2.5 ስልጠናዎች ማስፈጸም ይገባል።
- 2.6 ስልጠናዎች ማስፈጸም ይገባል።
- 2.7 ስልጠናዎች ማስፈጸም ይገባል።

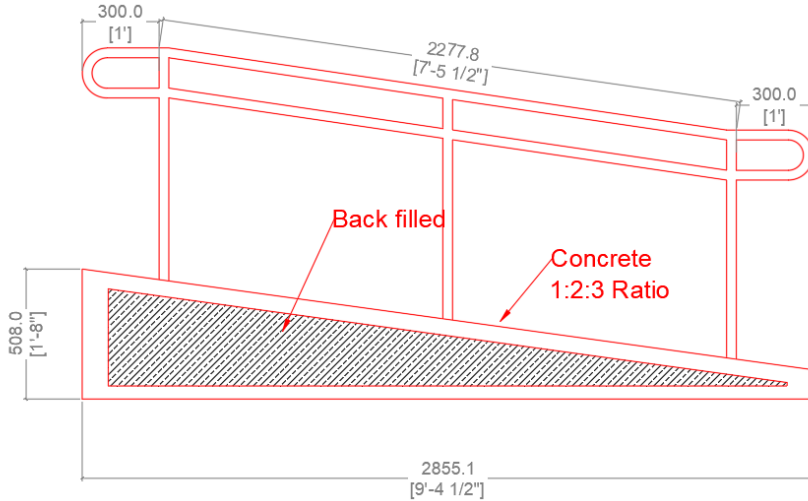
3. ገንዘብ ማግኘትና ማስፈጸም ዘመናዊ ስልጠናዎች

- 3.1 ስልጠናዎች ማስፈጸም ይገባል።
- 3.2 ስልጠናዎች ማስፈጸም ይገባል።
- 3.3 ስልጠናዎች ማስፈጸም ይገባል።
- 3.4 ስልጠናዎች ማስፈጸም ይገባል።
- 3.5 ስልጠናዎች ማስፈጸም ይገባል።
- 3.6 ስልጠናዎች ማስፈጸም ይገባል።
- 3.7 ስልጠናዎች ማስፈጸም ይገባል።
- 3.8 ስልጠናዎች ማስፈጸም ይገባል።
- 3.9 ስልጠናዎች ማስፈጸም ይገባል።
- 3.10 ስልጠናዎች ማስፈጸም ይገባል።



4. ንድፍ ማቅረቢያ

- 4.1 ንድፍ ማቅረቢያው ለግንባታ ስራው ለማስፈጸም ይገባል።
- 4.2 ንድፍ ማቅረቢያው ለግንባታ ስራው ለማስፈጸም የሚያስፈልጉትን ሰነድ (4 ክፍል) ማቅረቢያ ማድረግ ይገባል።
- 4.3 ንድፍ ማቅረቢያው ለግንባታ ስራው ለማስፈጸም የሚያስፈልጉትን ሰነድ (2 ክፍል) ማቅረቢያ ማድረግ ይገባል።
- 4.4 ንድፍ ማቅረቢያው ለግንባታ ስራው ለማስፈጸም የሚያስፈልጉትን ሰነድ ማቅረቢያ ማድረግ ይገባል።
- 4.5 ንድፍ ማቅረቢያው ለግንባታ ስራው ለማስፈጸም የሚያስፈልጉትን ሰነድ (2.5 ክፍል) ማቅረቢያ ማድረግ ይገባል።
- 4.6 ንድፍ ማቅረቢያው ለግንባታ ስራው ለማስፈጸም የሚያስፈልጉትን ሰነድ (1:2:3 ስኬል) ማቅረቢያ ማድረግ ይገባል።
- 4.7 ንድፍ ማቅረቢያው ለግንባታ ስራው ለማስፈጸም የሚያስፈልጉትን ሰነድ (1 ክፍል) ማቅረቢያ ማድረግ ይገባል።
- 4.8 ንድፍ ማቅረቢያው ለግንባታ ስራው ለማስፈጸም የሚያስፈልጉትን ሰነድ ማቅረቢያ ማድረግ ይገባል።
- 4.9 ንድፍ ማቅረቢያው ለግንባታ ስራው ለማስፈጸም የሚያስፈልጉትን ሰነድ ማቅረቢያ ማድረግ ይገባል።

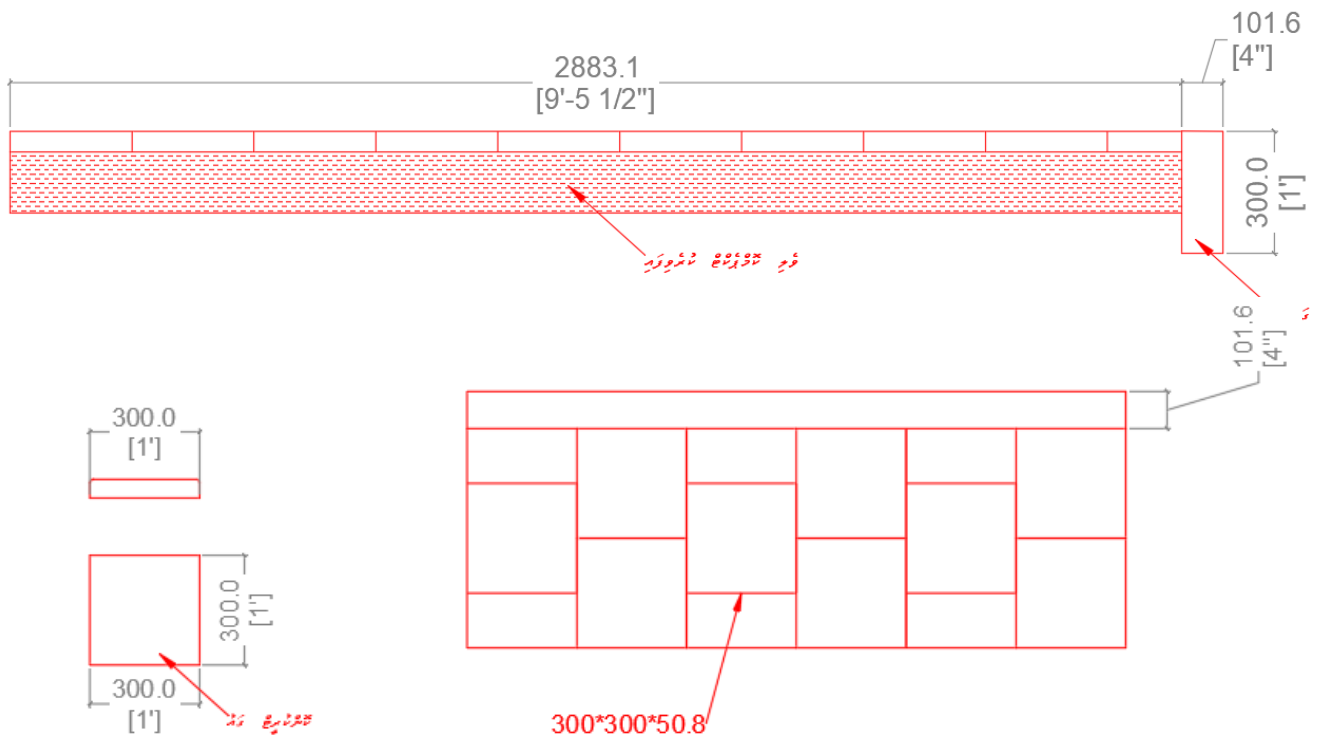


5. حُجْرَة خِزَانَة

- 5.1 عَمْدَانِيَّةُ أَلْفِيَّةٌ سَيَّاحِيَّةٌ فِي أَلْحَدِيَّةِ خِزَانَةِ حُجْرَةِ خِزَانَتِيَّةٍ.
- 5.2 حُجْرَةُ خِزَانَتِيَّةٌ بِرَتْمِيَّةِ 1:1 (1 رَدِّيَّةٌ سَيَّاحِيَّةٌ 1 نَاقِيَّةٌ سَيَّاحِيَّةٌ) أَلْحَدِيَّةٌ تَقْرِيْبِيَّةٌ.
- 5.3 حُجْرَةُ سَوَارِيْحِيَّةٌ بِ 600 جِوَدِيَّةٌ س (2 قَدِّيَّةٌ) * 600 جِوَدِيَّةٌ س (2 قَدِّيَّةٌ).
- 5.4 حُجْرَةُ خِزَانَتِيَّةٌ فِي رَدِّيَّةٍ أَلْفِيَّةٍ أَلْحَدِيَّةٍ فِي رَدِّيَّةٍ رَتْمِيَّةٍ تَقْرِيْبِيَّةٍ.
- 5.5 حُجْرَةُ خِزَانَتِيَّةٌ نَاقِيَّةٌ سَيَّاحِيَّةٌ دَاسِيَّةٌ لَمُحَاوَلَةِ تَقْوِيْمِ السُّقُوفِ فِي رَدِّيَّةٍ خِزَانَتِيَّةٍ تَقْرِيْبِيَّةٍ.

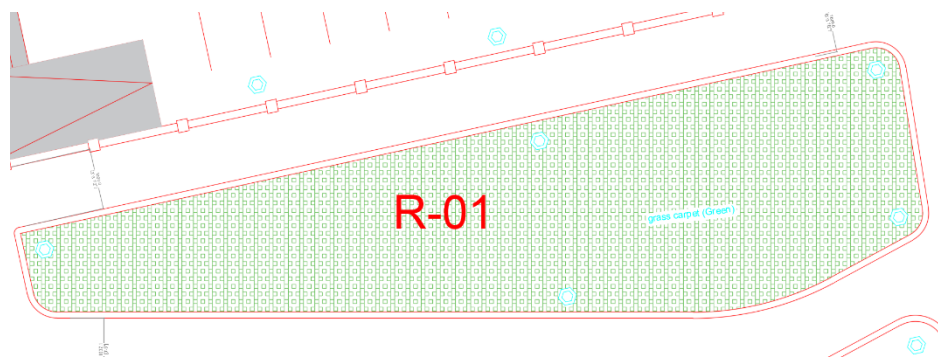
6. حُجْرَةُ كَمْدَانِيَّةٌ قَرِيْبِيَّةٌ

- 6.1 حُجْرَةُ كَمْدَانِيَّةٌ أَلْحَدِيَّةٌ، تَقْرِيْبِيَّةٌ أَلْحَدِيَّةٌ قَرِيْبِيَّةٌ فِي خِزَانَةِ حُجْرَةِ خِزَانَتِيَّةٍ (1 قَدِّيَّةٌ) فِي رَدِّيَّةٍ قَرِيْبِيَّةٍ تَقْرِيْبِيَّةٍ. رَدِّيَّةٌ فِي رَدِّيَّةٍ رَتْمِيَّةٍ تَقْرِيْبِيَّةٍ فِي رَدِّيَّةٍ خِزَانَتِيَّةٍ تَقْرِيْبِيَّةٍ.
- 6.2 رَدِّيَّةٌ أَلْحَدِيَّةٌ فِي رَدِّيَّةٍ قَرِيْبِيَّةٍ أَلْحَدِيَّةٍ 1:4 أَلْحَدِيَّةٌ.
- 6.3 رَدِّيَّةٌ قَرِيْبِيَّةٌ فِي رَدِّيَّةٍ 1904 أَلْحَدِيَّةٍ.
- 6.4 قَرِيْبِيَّةٌ فِي رَدِّيَّةٍ خِزَانَتِيَّةٍ تَقْرِيْبِيَّةٍ فِي رَدِّيَّةٍ (1 قَدِّيَّةٌ) * 101.6 جِوَدِيَّةٌ س (4 رَدِّيَّةٌ) فِي رَدِّيَّةٍ تَقْرِيْبِيَّةٍ.

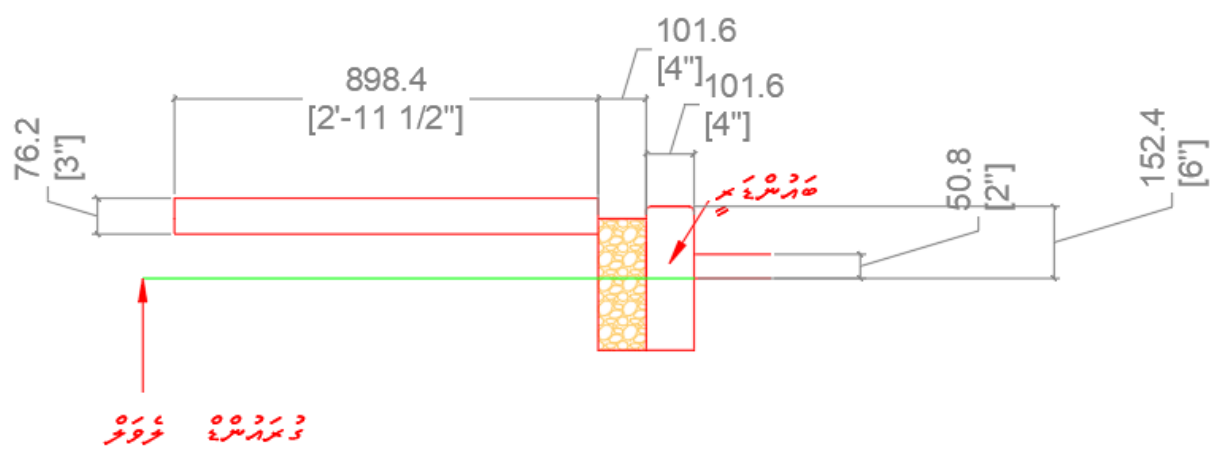


7. ለግዛት ደንብ የሚያስፈልጉ ስፋት

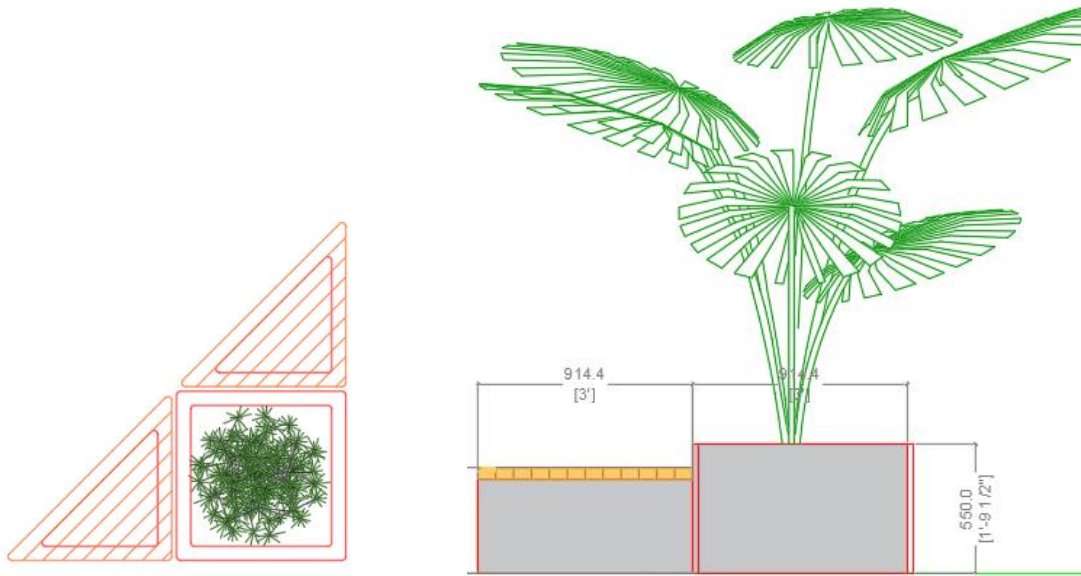
R-01



- 7.1 R-01 ስፋት 101.6 ሜትር (4 ስፊት) * 304.8 ሜትር (12 ስፊት) ስፋት ይገልጻል።
- 7.2 ስፋት 152.4 ሜትር (6 ስፊት) ስፋት ይገልጻል።
- 7.3 ስፋት 7.2 ስፋት ይገልጻል።
- 7.4 ስፋት 7.3 ስፋት ይገልጻል።



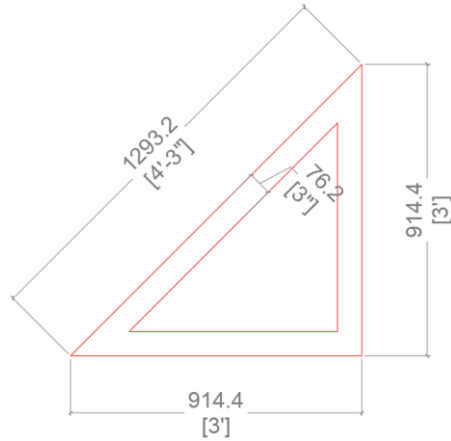
- 7.5 سۇيۇق ئۆزگىرىش ئۆلچىمى بىر قېتىم ئۆزگەرتىشكە ئەمەل قىلىشقا ئەرزىمەيدۇ. ئۆزگەرتىش ئۆلچىمى 1.11 نىڭ ھەر بىر قېتىم ئۆزگەرتىش ئۆلچىمى بىر قېتىم ئۆزگەرتىشكە ئەمەل قىلىشقا ئەرزىمەيدۇ.
- 7.6 R-01 نىڭ ئۆزگەرتىش ئۆلچىمى بىر قېتىم ئۆزگەرتىشكە ئەمەل قىلىشقا ئەرزىمەيدۇ. ئۆزگەرتىش ئۆلچىمى بىر قېتىم ئۆزگەرتىشكە ئەمەل قىلىشقا ئەرزىمەيدۇ.
- 7.7 R-01 نىڭ ئۆزگەرتىش ئۆلچىمى بىر قېتىم ئۆزگەرتىشكە ئەمەل قىلىشقا ئەرزىمەيدۇ.
- 7.8 7.8 نىڭ ئۆزگەرتىش ئۆلچىمى بىر قېتىم ئۆزگەرتىشكە ئەمەل قىلىشقا ئەرزىمەيدۇ. (Pile Height: 22 mm) 22 چوڭچىسى بىر قېتىم ئۆزگەرتىشكە ئەمەل قىلىشقا ئەرزىمەيدۇ.
- 7.9 Grass yam:Fabrillated ‘Gauge 3/8’ ،Stiches/m 310s/m (density:32500/m2) ،Dtex 9600 Backing PP+Net & SBR Latex ،PE
- 7.10 R-01 نىڭ ئۆزگەرتىش ئۆلچىمى بىر قېتىم ئۆزگەرتىشكە ئەمەل قىلىشقا ئەرزىمەيدۇ.
- 7.11 7.11 نىڭ ئۆزگەرتىش ئۆلچىمى بىر قېتىم ئۆزگەرتىشكە ئەمەل قىلىشقا ئەرزىمەيدۇ.
- 7.12 7.12 نىڭ ئۆزگەرتىش ئۆلچىمى بىر قېتىم ئۆزگەرتىشكە ئەمەل قىلىشقا ئەرزىمەيدۇ. (432.16 ئۆلچىمى)
- 7.13 7.13 نىڭ ئۆزگەرتىش ئۆلچىمى بىر قېتىم ئۆزگەرتىشكە ئەمەل قىلىشقا ئەرزىمەيدۇ. (Seaming Tape 30cm wide) (30 سۇمچىسى بىر قېتىم ئۆزگەرتىشكە ئەمەل قىلىشقا ئەرزىمەيدۇ)
- 7.14 7.14 نىڭ ئۆزگەرتىش ئۆلچىمى بىر قېتىم ئۆزگەرتىشكە ئەمەل قىلىشقا ئەرزىمەيدۇ. (Adhesive bi-component) ھەر بىر قېتىم ئۆزگەرتىشكە ئەمەل قىلىشقا ئەرزىمەيدۇ.
- 7.15 7.15 نىڭ ئۆزگەرتىش ئۆلچىمى بىر قېتىم ئۆزگەرتىشكە ئەمەل قىلىشقا ئەرزىمەيدۇ.
- 7.16 7.16 نىڭ ئۆزگەرتىش ئۆلچىمى بىر قېتىم ئۆزگەرتىشكە ئەمەل قىلىشقا ئەرزىمەيدۇ.



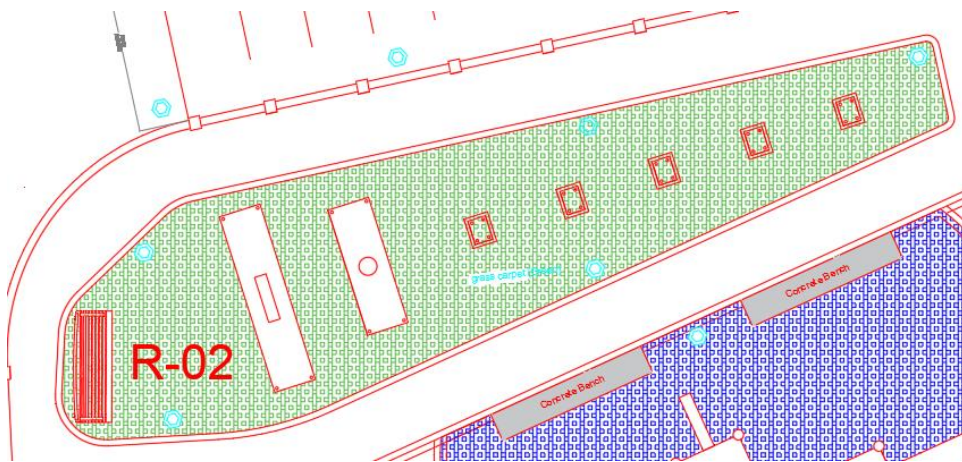
- 7.17 ንግድ ስራ ላይ የሚያስፈልጉትን ስራዎች ለማግኘት ይጎብኙ.
- 7.18 ስራዎች ላይ የሚያስፈልጉትን ስራዎች ለማግኘት ይጎብኙ.
- 7.19 የግንባታ ስራ ላይ የሚያስፈልጉትን ስራዎች ለማግኘት ይጎብኙ (3 ስራዎች) ይህን ይጎብኙ.
- 7.20 ስራዎች ላይ የሚያስፈልጉትን ስራዎች ለማግኘት ይጎብኙ.
- 7.21 3 ስራዎች ላይ የሚያስፈልጉትን ስራዎች ለማግኘት ይጎብኙ. ስራዎች ላይ የሚያስፈልጉትን ስራዎች ለማግኘት ይጎብኙ (3 ስራዎች) ስራዎች ላይ የሚያስፈልጉትን ስራዎች ለማግኘት ይጎብኙ.
- 7.22 ስራዎች ላይ የሚያስፈልጉትን ስራዎች ለማግኘት ይጎብኙ (2 ስራዎች) ስራዎች ላይ የሚያስፈልጉትን ስራዎች ለማግኘት ይጎብኙ.
- 7.23 ስራዎች ላይ የሚያስፈልጉትን ስራዎች ለማግኘት ይጎብኙ (2 ስራዎች) ስራዎች ላይ የሚያስፈልጉትን ስራዎች ለማግኘት ይጎብኙ (2 ስራዎች) ስራዎች ላይ የሚያስፈልጉትን ስራዎች ለማግኘት ይጎብኙ.
- 7.24 ስራዎች ላይ የሚያስፈልጉትን ስራዎች ለማግኘት ይጎብኙ.
- 7.25 ስራዎች ላይ የሚያስፈልጉትን ስራዎች ለማግኘት ይጎብኙ (3 ስራዎች) ስራዎች ላይ የሚያስፈልጉትን ስራዎች ለማግኘት ይጎብኙ.

ބަޔާން 2

- 7.26 ފޯމުގެ ބަޔާން ގަޑިއިރުގައި ވަނީ ބަޔާންކޮށްފައެވެ. ފޯމުގެ ބަޔާން ގަޑިއިރުގައި ވަނީ ބަޔާންކޮށްފައެވެ.
- 7.27 ފޯމުގެ ބަޔާން ގަޑިއިރުގައި ވަނީ ބަޔާންކޮށްފައެވެ. 25 ގަޑިއިރުގައި ވަނީ ބަޔާންކޮށްފައެވެ.



R-02



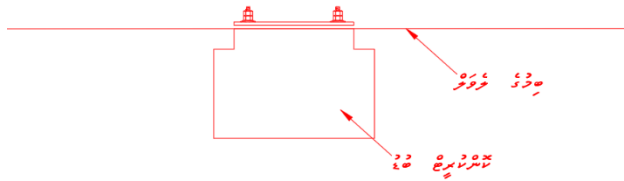
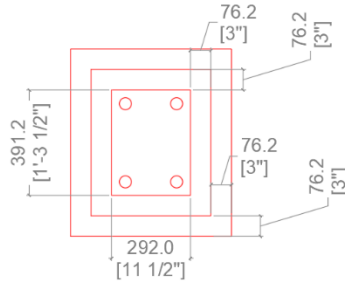
- 7.28 R-02 ގަޑިއިރުގައި ވަނީ ބަޔާންކޮށްފައެވެ.
- 7.29 ފޯމުގެ ބަޔާން ގަޑިއިރުގައި ވަނީ ބަޔާންކޮށްފައެވެ. 7.1 ގަޑިއިރުގައި ވަނީ ބަޔާންކޮށްފައެވެ.
- 7.30 R-02 ގަޑިއިރުގައި ވަނީ ބަޔާންކޮށްފައެވެ. ފޯމުގެ ބަޔާން ގަޑިއިރުގައި ވަނީ ބަޔާންކޮށްފައެވެ.
- 7.31 R-02 ގަޑިއިރުގައި ވަނީ ބަޔާންކޮށްފައެވެ. ފޯމުގެ ބަޔާން ގަޑިއިރުގައި ވަނީ ބަޔާންކޮށްފައެވެ.
- 7.32 R-02 ގަޑިއިރުގައި ވަނީ ބަޔާންކޮށްފައެވެ. ފޯމުގެ ބަޔާން ގަޑިއިރުގައި ވަނީ ބަޔާންކޮށްފައެވެ.
- 7.33 ފޯމުގެ ބަޔާން ގަޑިއިރުގައި ވަނީ ބަޔާންކޮށްފައެވެ. 7.8 ގަޑިއިރުގައި ވަނީ ބަޔާންކޮށްފައެވެ.
- 7.34 R-02 ގަޑިއިރުގައި ވަނީ ބަޔާންކޮށްފައެވެ. ފޯމުގެ ބަޔާން ގަޑިއިރުގައި ވަނީ ބަޔާންކޮށްފައެވެ.

7.35 ڈیم کی سڈروں کے درمیان کے فاصلے 3 میٹر سے زیادہ ہونے چاہئے۔ ڈیم کی سڈروں کے درمیان کے فاصلے 3 میٹر سے زیادہ ہونے چاہئے۔

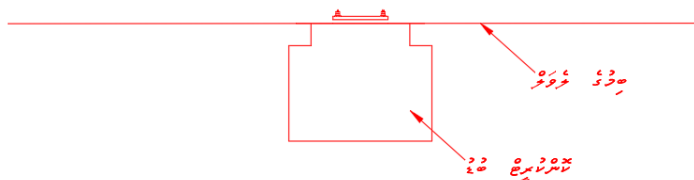
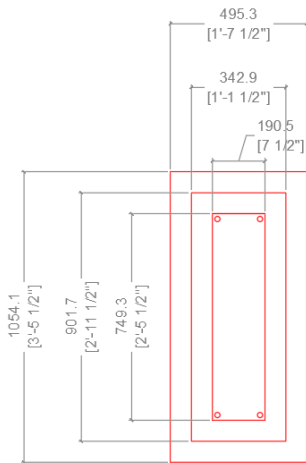
ڈیم کی سڈروں کے درمیان کے فاصلے 3 میٹر سے زیادہ ہونے چاہئے۔ ڈیم کی سڈروں کے درمیان کے فاصلے 3 میٹر سے زیادہ ہونے چاہئے۔

7.36 ڈیم کی سڈروں کے درمیان کے فاصلے 3 میٹر سے زیادہ ہونے چاہئے۔ ڈیم کی سڈروں کے درمیان کے فاصلے 3 میٹر سے زیادہ ہونے چاہئے۔

7.37 ڈیم کی سڈروں کے درمیان کے فاصلے 3 میٹر سے زیادہ ہونے چاہئے۔ ڈیم کی سڈروں کے درمیان کے فاصلے 3 میٹر سے زیادہ ہونے چاہئے۔



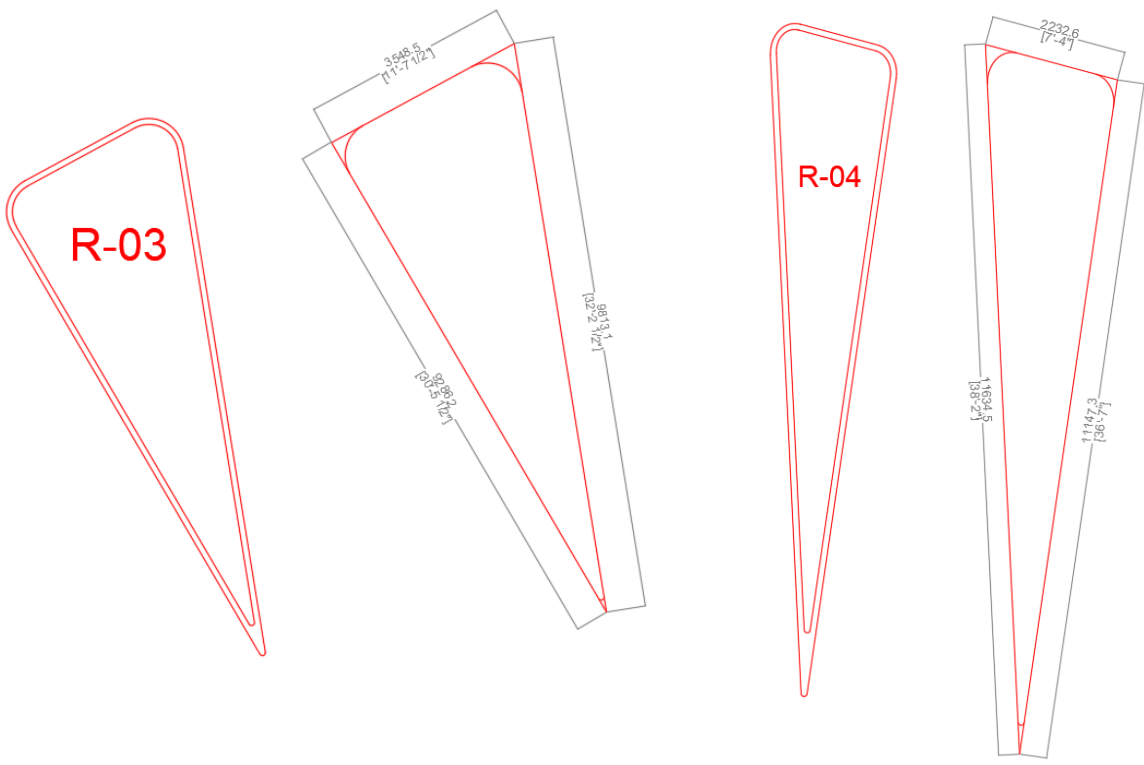
7.38 ڈیم کی سڈروں کے درمیان کے فاصلے 3 میٹر سے زیادہ ہونے چاہئے۔ ڈیم کی سڈروں کے درمیان کے فاصلے 3 میٹر سے زیادہ ہونے چاہئے۔

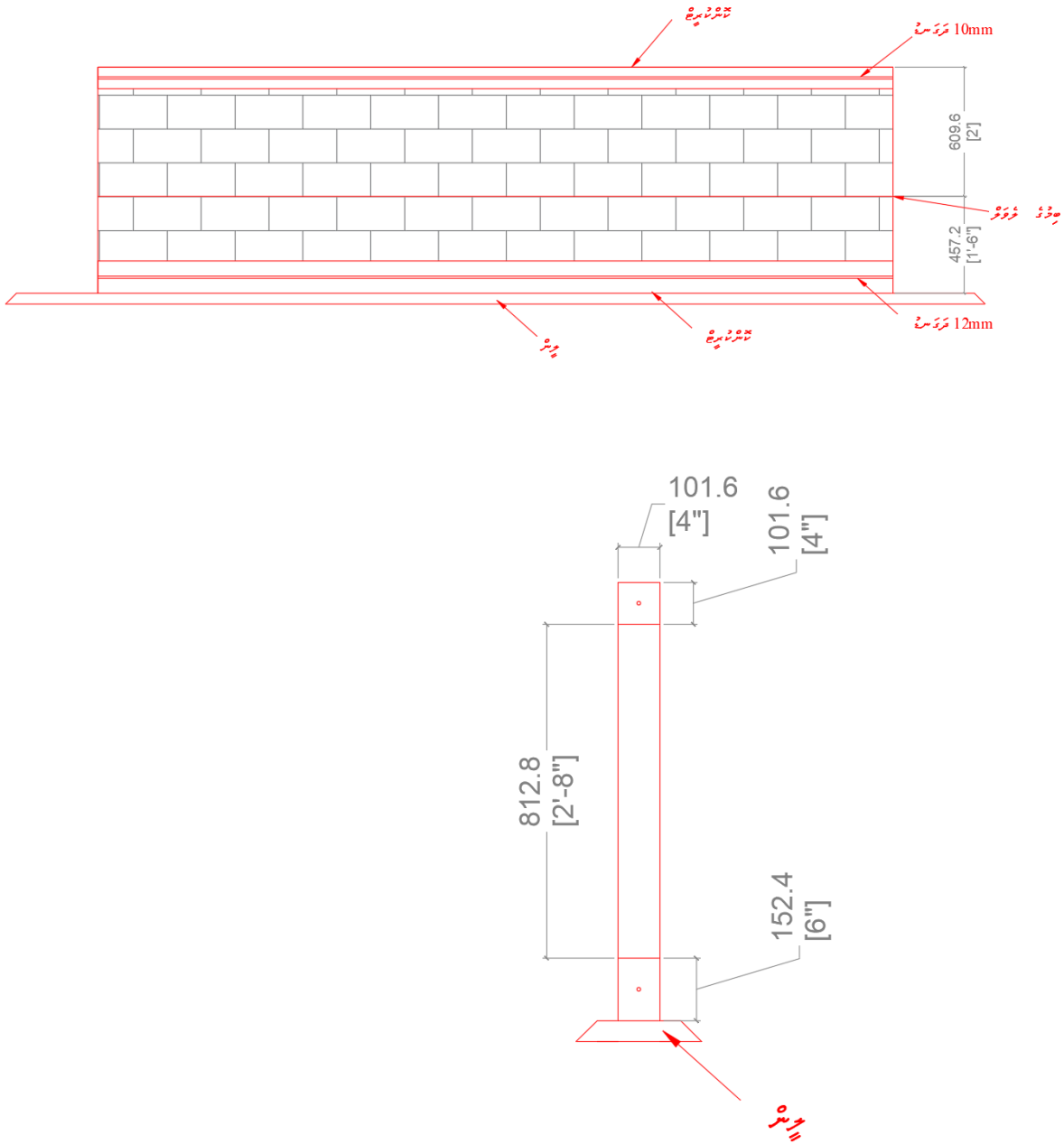


- 7.39 ޖަދުވަލު 7 ގައި ބަޔާންކޮށްފައިވާ 1:2:3 ގެ 1 ވަނަ ސެކްޓަރުގެ 2 ވަނަ ސެކްޓަރުގެ 3 ވަނަ ސެކްޓަރުގެ ގޮތުގައި ބަޔާންކޮށްފައިވާ ގޮތުގައި.
- 7.40 ބަޔާންކޮށްފައިވާ ސެކްޓަރުގެ 2 ވަނަ ސެކްޓަރުގެ ގޮތުގައި ބަޔާންކޮށްފައިވާ ގޮތުގައި.
- 7.41 ބަޔާންކޮށްފައިވާ ސެކްޓަރުގެ 2 ވަނަ ސެކްޓަރުގެ ގޮތުގައި ބަޔާންކޮށްފައިވާ ގޮތުގައި.
- 7.42 ޖަދުވަލު 3 ގެ 3 ވަނަ ސެކްޓަރުގެ ގޮތުގައި ބަޔާންކޮށްފައިވާ ގޮތުގައި 20-16 ވަނަ ސެކްޓަރުގެ ގޮތުގައި ބަޔާންކޮށްފައިވާ ގޮތުގައި.
- 7.43 ޖަދުވަލު 3 ގެ 3 ވަނަ ސެކްޓަރުގެ ގޮތުގައި ބަޔާންކޮށްފައިވާ ގޮތުގައި 20-16 ވަނަ ސެކްޓަރުގެ ގޮތުގައި ބަޔާންކޮށްފައިވާ ގޮތުގައި.
- 7.44 ޖަދުވަލު 3 ގެ 3 ވަނަ ސެކްޓަރުގެ ގޮތުގައި ބަޔާންކޮށްފައިވާ ގޮތުގައި 1604.8 ވަނަ ސެކްޓަރުގެ ގޮތުގައި ބަޔާންކޮށްފައިވާ ގޮތުގައި.

R-04 ގެ R-03

- 7.45 R-04 ގެ R-03 ގެ ގޮތުގައި ބަޔާންކޮށްފައިވާ ގޮތުގައި ބަޔާންކޮށްފައިވާ ގޮތުގައި ބަޔާންކޮށްފައިވާ ގޮތުގައި.
- 7.46 R-03 ގެ ގޮތުގައި ބަޔާންކޮށްފައިވާ ގޮތުގައި 22,647.8 ވަނަ ސެކްޓަރުގެ ގޮތުގައި ބަޔާންކޮށްފައިވާ ގޮތުގައި (74.3 ވަނަ ސެކްޓަރު).
- 7.47 R-04 ގެ ގޮތުގައި ބަޔާންކޮށްފައިވާ ގޮތުގައި 25,014.4 ވަނަ ސެކްޓަރުގެ ގޮތުގައި ބަޔާންކޮށްފައިވާ ގޮތުގައި (82 ވަނަ ސެކްޓަރު).





7.48 ئۆزگەرتىلگەن ئۆلچەم 50.8 جۈجۈمىخ (2 رېتىمى) كەڭلىكى 203.2 جۈجۈمىخ (8 رېتىمى) ئۆزگەرتىلگەن رەسىمىنىڭ ئۆلچەمى.

7.49 ئۆزگەرتىلگەن رەسىمىنىڭ قەلەم ئۆلچەمى 1:4 نىڭ بىر نۇسخىسى تەييارلىنىشى كېرەك.

7.50 ئۆزگەرتىلگەن رەسىمىنىڭ ئۆلچەمى 101.6 جۈجۈمىخ (4 رېتىمى) * 152.4 جۈجۈمىخ (6 رېتىمى) نىڭ بىر نۇسخىسى تەييارلىنىشى كېرەك.

7.51 ئۆزگەرتىلگەن رەسىمىنىڭ ئۆلچەمى 812.8 جۈجۈمىخ (32 رېتىمى) نىڭ بىر نۇسخىسى تەييارلىنىشى كېرەك.

7.52 ئۆزگەرتىلگەن رەسىمىنىڭ ئۆلچەمى 101.6 جۈجۈمىخ (4 رېتىمى) * 101.6 جۈجۈمىخ (4 رېتىمى) نىڭ بىر نۇسخىسى تەييارلىنىشى كېرەك.

7.53 ئۆزگەرتىلگەن رەسىمىنىڭ ئۆلچەمى 12 جۈجۈمىخ قەلەم ئۆلچەمى نىڭ بىر نۇسخىسى تەييارلىنىشى كېرەك. رەسىم ئۆزگەرتىلگەن رەسىمىنىڭ ئۆلچەمى 1 قەلەم ئۆلچەمى نىڭ بىر نۇسخىسى تەييارلىنىشى كېرەك.

7.54 ئۆزگەرتىلگەن رەسىمىنىڭ ئۆلچەمى 8 جۈجۈمىخ نىڭ بىر نۇسخىسى تەييارلىنىشى كېرەك.

7.55 ئۆزگەرتىلگەن رەسىمىنىڭ ئۆلچەمى 12.7 جۈجۈمىخ كەڭلىكى بىلەن ئۆزگەرتىلگەن رەسىمىنىڭ ئۆلچەمى 1:4 نىڭ بىر نۇسخىسى تەييارلىنىشى كېرەك.

ئۆزگەرتىلگەن رەسىمىنىڭ ئۆلچەمى 8 جۈجۈمىخ نىڭ بىر نۇسخىسى تەييارلىنىشى كېرەك.

8. پارک بنائیں

8.1 پارک کی سہولتوں کو فروغ دینا اور پارکوں کی تعمیر کے لیے بجٹ کی تخصیص کرنا۔



8.2 R-01 پارک کی سہولتوں کی تعمیر۔

8.3 R-02 پارک کی سہولتوں کی تعمیر۔

8.4 R-05 پارک کی سہولتوں کی تعمیر۔

9. R-05

9.1 R-05 پارک کی سہولتوں کی تعمیر۔

9.2 پارک کی سہولتوں کی تعمیر کے لیے 7.1 سے 7.5 کے درمیان بجٹ کی تخصیص۔

9.3 R-05 پارک کی سہولتوں کی تعمیر کے لیے 3 سے 2 کے درمیان بجٹ کی تخصیص اور پارک کی سہولتوں کی تعمیر کے لیے 2 سے 1 کے درمیان بجٹ کی تخصیص۔

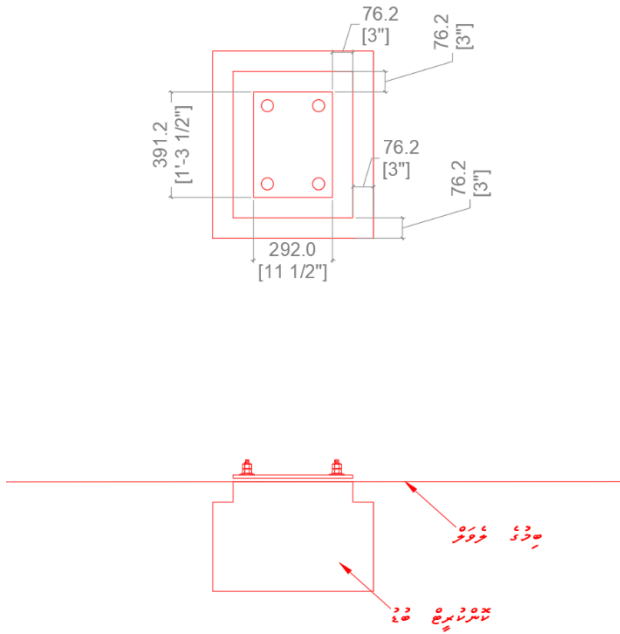
9.4 پارک کی سہولتوں کی تعمیر کے لیے 2.5 سے 1 کے درمیان بجٹ کی تخصیص اور پارک کی سہولتوں کی تعمیر کے لیے 3 سے 2 کے درمیان بجٹ کی تخصیص۔

9.5 پارک کی سہولتوں کی تعمیر کے لیے 1:2:3 کے تناسب میں 1 سے 2 کے درمیان بجٹ کی تخصیص اور پارک کی سہولتوں کی تعمیر کے لیے 3 سے 2 کے درمیان بجٹ کی تخصیص۔

9.6 پارک کی سہولتوں کی تعمیر کے لیے 7.8 سے 7.16 کے درمیان بجٹ کی تخصیص۔

10. ከተማ አስተዳደር የግንባታ ስራ

10.1 ከተማ አስተዳደር የግንባታ ስራ ለማስፈጸም የሚያስፈልጉትን ሰነድ



10.2 ከተማ አስተዳደር የግንባታ ስራ ለማስፈጸም የሚያስፈልጉትን ሰነድ

የግንባታ ስራ ለማስፈጸም የሚያስፈልጉትን ሰነድ

10.3 ከተማ አስተዳደር የግንባታ ስራ ለማስፈጸም የሚያስፈልጉትን ሰነድ

የግንባታ ስራ ለማስፈጸም የሚያስፈልጉትን ሰነድ

10.4 ከተማ አስተዳደር የግንባታ ስራ ለማስፈጸም የሚያስፈልጉትን ሰነድ

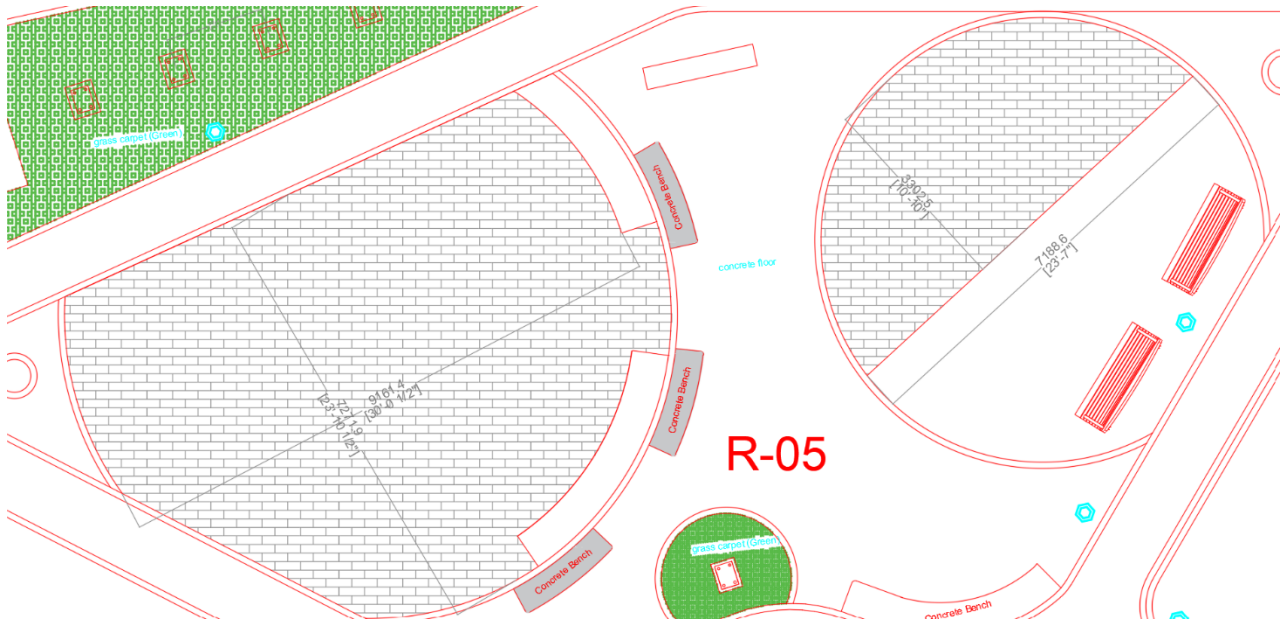
10.5 ከተማ አስተዳደር የግንባታ ስራ ለማስፈጸም የሚያስፈልጉትን ሰነድ

10.6 ከተማ አስተዳደር የግንባታ ስራ ለማስፈጸም የሚያስፈልጉትን ሰነድ

10.7 ከተማ አስተዳደር የግንባታ ስራ ለማስፈጸም የሚያስፈልጉትን ሰነድ

10.8 ከተማ አስተዳደር የግንባታ ስራ ለማስፈጸም የሚያስፈልጉትን ሰነድ

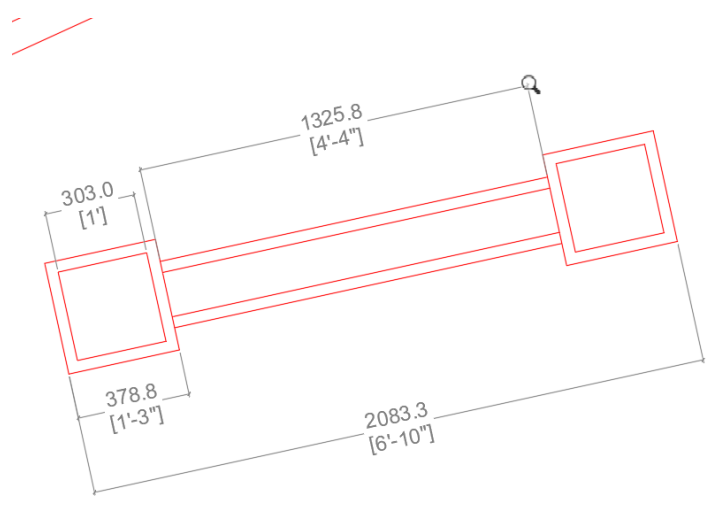
10.9 ከተማ አስተዳደር የግንባታ ስራ ለማስፈጸም የሚያስፈልጉትን ሰነድ



11. සැලසුම

11.1 ආවේණික සැලසුමේ සඳහන් කර ඇති සියලුම කොටස්.

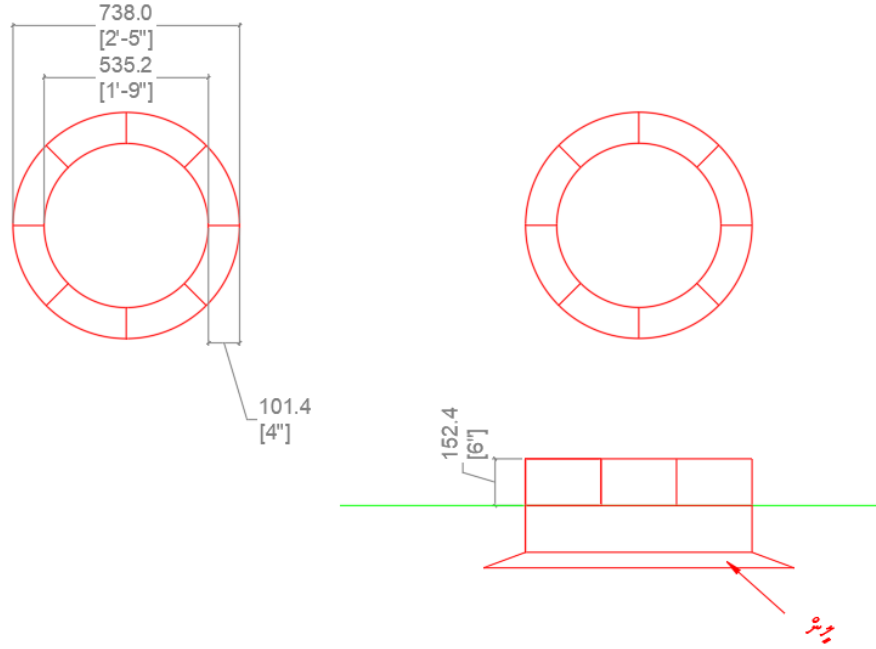




- 11.2 ገዢው የግዛት ስርዓት ለማግኘት የሚያስፈልገውን ግዛት ስርዓት ለማግኘት ይገባል።
- 11.3 ገዢው የግዛት ስርዓት ለማግኘት የሚያስፈልገውን ግዛት ስርዓት ለማግኘት ይገባል።
- 11.4 ገዢው የግዛት ስርዓት ለማግኘት የሚያስፈልገውን ግዛት ስርዓት ለማግኘት ይገባል።
- 11.5 ገዢው የግዛት ስርዓት ለማግኘት የሚያስፈልገውን ግዛት ስርዓት ለማግኘት ይገባል።
- 11.6 ገዢው የግዛት ስርዓት ለማግኘት የሚያስፈልገውን ግዛት ስርዓት ለማግኘት ይገባል።
- 11.7 ገዢው የግዛት ስርዓት ለማግኘት የሚያስፈልገውን ግዛት ስርዓት ለማግኘት ይገባል።
- 11.8 ገዢው የግዛት ስርዓት ለማግኘት የሚያስፈልገውን ግዛት ስርዓት ለማግኘት ይገባል።
- 11.9 ገዢው የግዛት ስርዓት ለማግኘት የሚያስፈልገውን ግዛት ስርዓት ለማግኘት ይገባል።
- 11.10 ገዢው የግዛት ስርዓት ለማግኘት የሚያስፈልገውን ግዛት ስርዓት ለማግኘት ይገባል።
- 11.11 ገዢው የግዛት ስርዓት ለማግኘት የሚያስፈልገውን ግዛት ስርዓት ለማግኘት ይገባል።
- 11.12 ገዢው የግዛት ስርዓት ለማግኘት የሚያስፈልገውን ግዛት ስርዓት ለማግኘት ይገባል።

12. ንግድ ማስፈጸም

- 12.1 ንግድ ማስፈጸም ለማግኘት የሚያስፈልገውን ግዛት ስርዓት ለማግኘት ይገባል።
- 12.2 ንግድ ማስፈጸም ለማግኘት የሚያስፈልገውን ግዛት ስርዓት ለማግኘት ይገባል።
- 12.3 ንግድ ማስፈጸም ለማግኘት የሚያስፈልገውን ግዛት ስርዓት ለማግኘት ይገባል።
- 12.4 ንግድ ማስፈጸም ለማግኘት የሚያስፈልገውን ግዛት ስርዓት ለማግኘት ይገባል።



13. ከግንባታ ስራ ለማስፈጸም

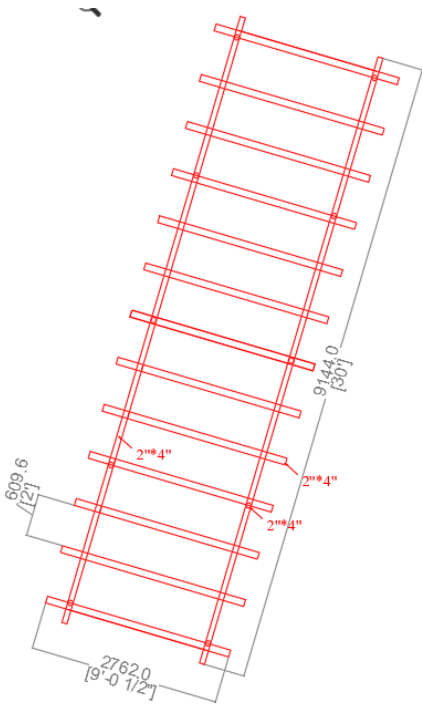
- 13.1 የግንባታ ስራ ለማስፈጸም የሚያስፈልጉትን ሰነድ ለማስፈጸም ማስፈራሪያ ማድረግ።
- 13.2 የግንባታ ስራ ለማስፈጸም የሚያስፈልጉትን ሰነድ (Sigma, Samhwa) ለማስፈጸም ማስፈራሪያ ማድረግ።

14. የግንባታ ስራ ለማስፈጸም

- 14.1 የግንባታ ስራ ለማስፈጸም የሚያስፈልጉትን ሰነድ ለማስፈጸም ማስፈራሪያ ማድረግ።
- 14.2 የግንባታ ስራ ለማስፈጸም የሚያስፈልጉትን ሰነድ ለማስፈጸም ማስፈራሪያ ማድረግ።
- 14.3 የግንባታ ስራ ለማስፈጸም የሚያስፈልጉትን ሰነድ ለማስፈጸም ማስፈራሪያ ማድረግ።
- 14.4 የግንባታ ስራ ለማስፈጸም የሚያስፈልጉትን ሰነድ ለማስፈጸም ማስፈራሪያ ማድረግ።
- 14.5 የግንባታ ስራ ለማስፈጸም የሚያስፈልጉትን ሰነድ ለማስፈጸም ማስፈራሪያ ማድረግ።

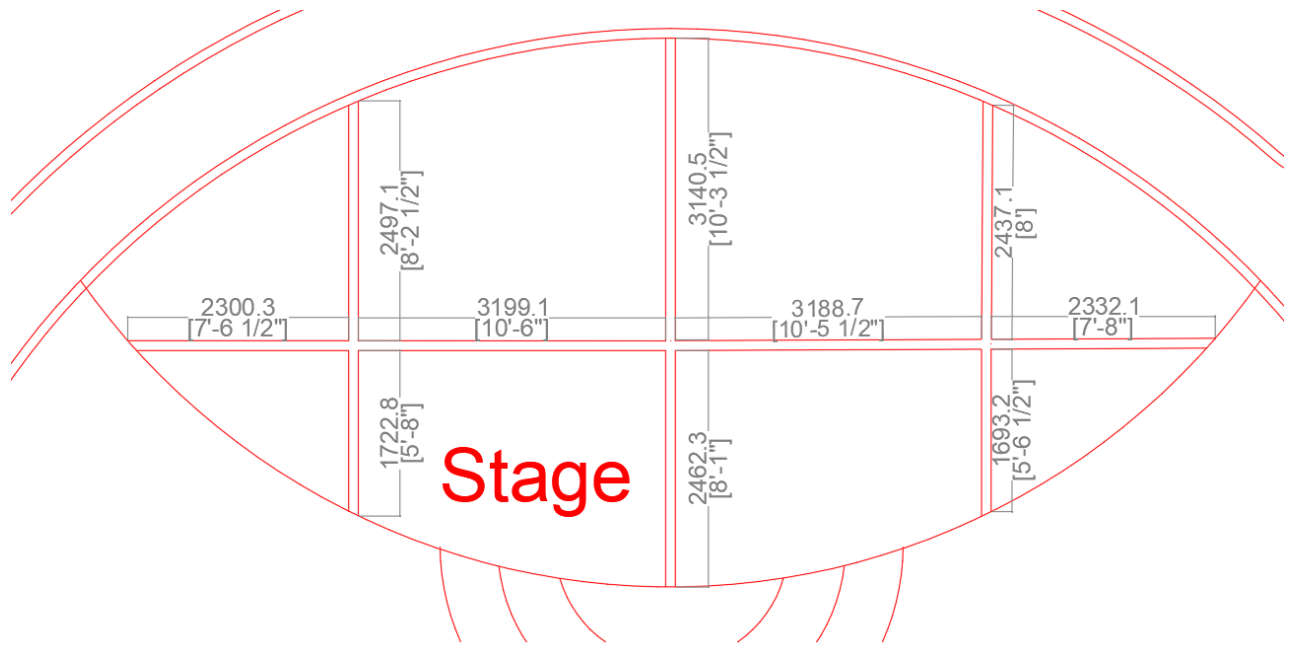
15. ލިޔުންތަކާއި ސަބަބުތަކާ ގުޅޭގޮތުން

- 15.1 ލިޔުންތަކާއި ސަބަބުތަކާ ގުޅޭގޮތުން 9144 ޖިޔާދަތަކާ ގުޅޭގޮތުން
- 15.2 ލިޔުންތަކާއި ސަބަބުތަކާ ގުޅޭގޮތުން 2 ވަނަ ސަބަބުތަކާ ގުޅޭގޮތުން ޖިޔާދަތަކާ ގުޅޭގޮތުން ޖިޔާދަތަކާ ގުޅޭގޮތުން.
- 15.3 ރާއްޖޭގެ ސަރުކާރުގެ ލިޔުންތަކާއި ސަބަބުތަކާ ގުޅޭގޮތުން ޖިޔާދަތަކާ ގުޅޭގޮތުން.
- 15.4 ލިޔުންތަކާއި ސަބަބުތަކާ ގުޅޭގޮތުން 88.9 ޖިޔާދަތަކާ ގުޅޭގޮތުން (3.5 ޖިޔާދަތަކާ ގުޅޭގޮތުން) * 88.9 ޖިޔާދަތަކާ ގުޅޭގޮތުން (3.5 ޖިޔާދަތަކާ ގުޅޭގޮތުން)
- 15.5 ލިޔުންތަކާއި ސަބަބުތަކާ ގުޅޭގޮތުން 5 ވަނަ ސަބަބުތަކާ ގުޅޭގޮތުން.
- 15.6 ލިޔުންތަކާއި ސަބަބުތަކާ ގުޅޭގޮތުން 9144 ޖިޔާދަތަކާ ގުޅޭގޮތުން (2 ޖިޔާދަތަކާ ގުޅޭގޮތުން) * (4 ޖިޔާދަތަކާ ގުޅޭގޮތުން)
- 15.7 ލިޔުންތަކާއި ސަބަބުތަކާ ގުޅޭގޮތުން 2762 ޖިޔާދަތަކާ ގުޅޭގޮތުން 88.9 ޖިޔާދަތަކާ ގުޅޭގޮތުން (3.5 ޖިޔާދަތަކާ ގުޅޭގޮތުން) * 88.9 ޖިޔާދަތަކާ ގުޅޭގޮތުން (3.5 ޖިޔާދަތަކާ ގުޅޭގޮތުން)
- 15.8 ލިޔުންތަކާއި ސަބަބުތަކާ ގުޅޭގޮތުން 2762 ޖިޔާދަތަކާ ގުޅޭގޮތުން (3.5 ޖިޔާދަތަކާ ގުޅޭގޮތުން) * 88.9 ޖިޔާދަތަކާ ގުޅޭގޮތުން (3.5 ޖިޔާދަތަކާ ގުޅޭގޮތުން)



- 15.9 ލިޔުންތަކާއި ސަބަބުތަކާ ގުޅޭގޮތުން 3 ވަނަ ސަބަބުތަކާ ގުޅޭގޮތުން ޖިޔާދަތަކާ ގުޅޭގޮތުން.
- 15.10 ލިޔުންތަކާއި ސަބަބުތަކާ ގުޅޭގޮތުން ޖިޔާދަތަކާ ގުޅޭގޮތުން.

16.4 ለግንባታ ስራ የሚያስፈልጉትን ስፋት ለመወሰን የሚያገለግል ደንብ ነው።



16.5 ለግንባታ ስራ የሚያስፈልጉትን ስፋት ለመወሰን የሚያገለግል ደንብ ነው።

16.6 ለግንባታ ስራ የሚያስፈልጉትን ስፋት ለመወሰን የሚያገለግል ደንብ ነው።

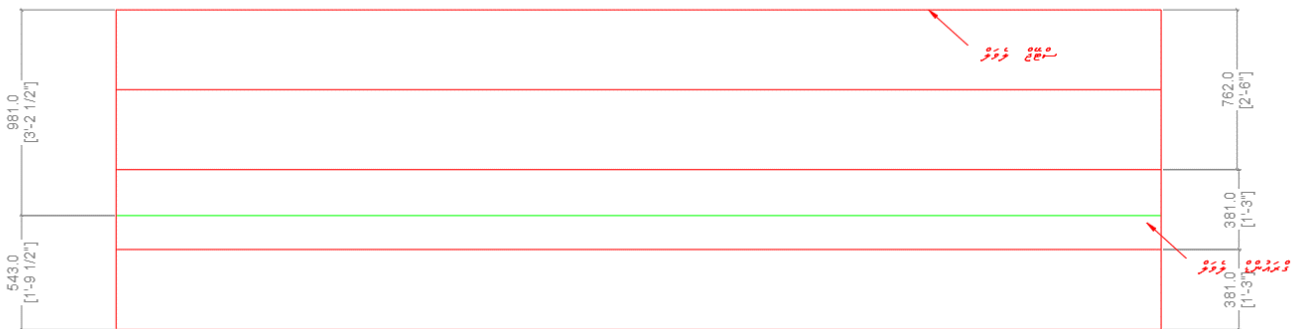
16.7 ለግንባታ ስራ የሚያስፈልጉትን ስፋት ለመወሰን የሚያገለግል ደንብ ነው። $101.6 * 101.6$ ስፋት ለመወሰን የሚያገለግል ደንብ ነው።

16.8 ለግንባታ ስራ የሚያስፈልጉትን ስፋት ለመወሰን የሚያገለግል ደንብ ነው።

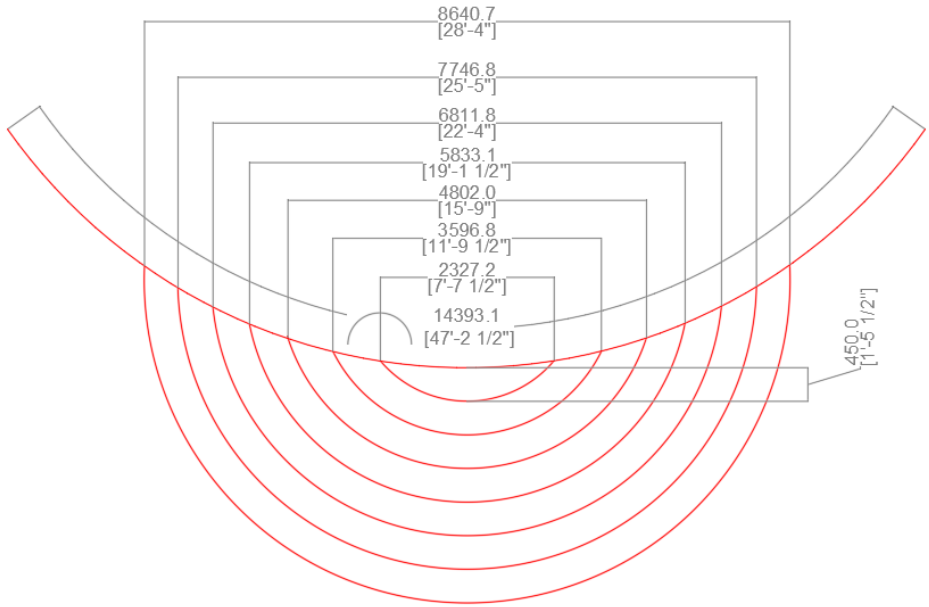
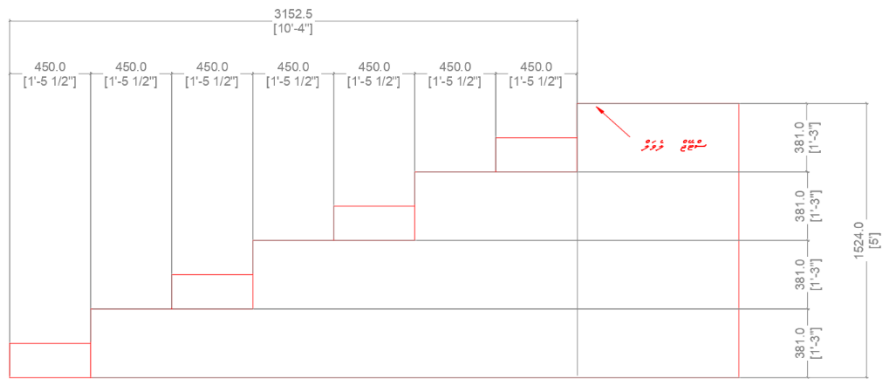
16.9 ለግንባታ ስራ የሚያስፈልጉትን ስፋት ለመወሰን የሚያገለግል ደንብ ነው።

16.10 ለግንባታ ስራ የሚያስፈልጉትን ስፋት ለመወሰን የሚያገለግል ደንብ ነው።

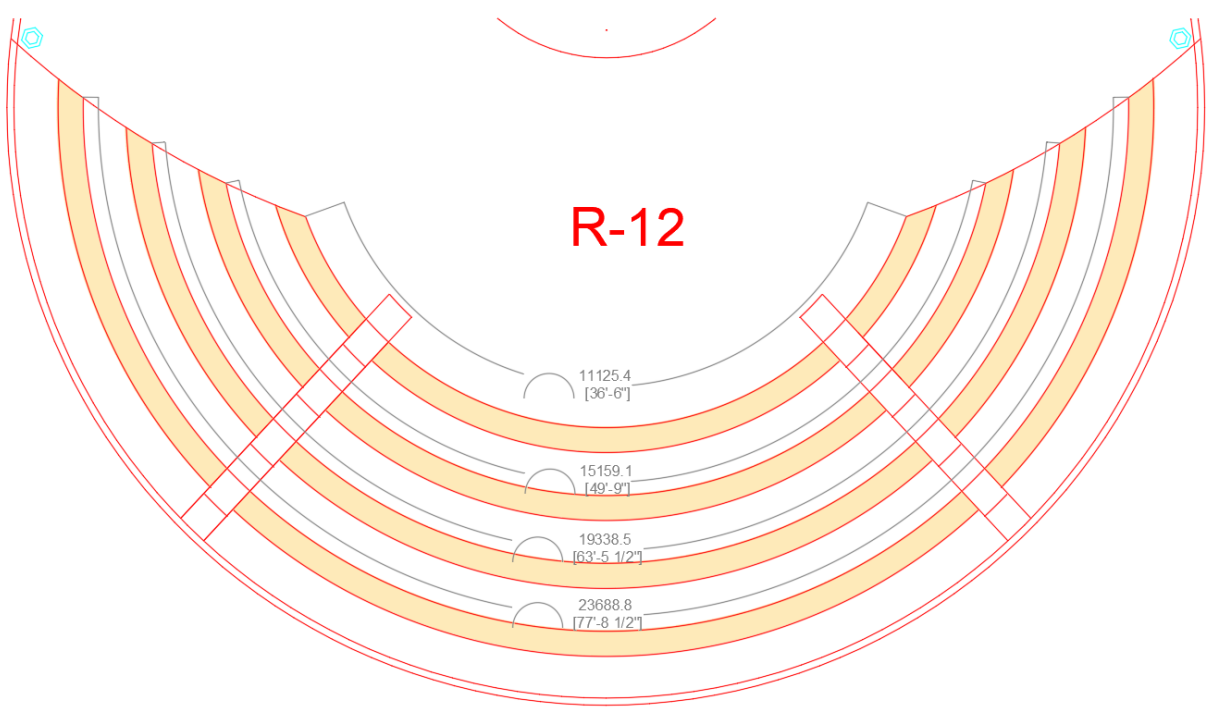
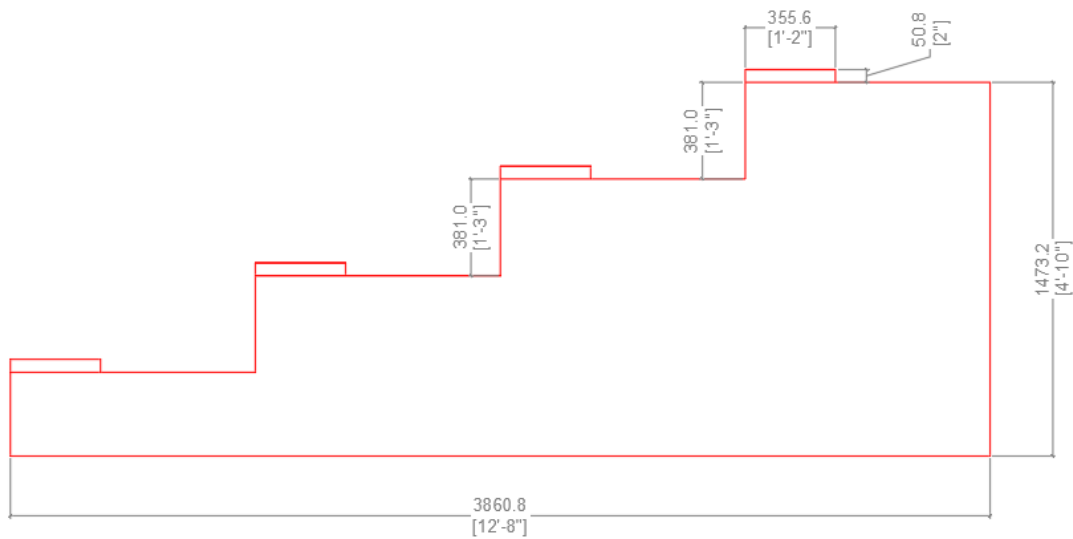
16.11 ለግንባታ ስራ የሚያስፈልጉትን ስፋት ለመወሰን የሚያገለግል ደንብ ነው።



- 16.12 መጨመር ያለው ስፋት 981.0 ስኩዌር ሜትር ይሆናል።
- 16.13 የሰነድ ስፋት 543 ስኩዌር ሜትር ይሆናል።
- 16.14 መጨመር ያለው ስፋት 3 ስኩዌር ሜትር ይሆናል።
- 16.15 የሰነድ ስፋት 381 ስኩዌር ሜትር ይሆናል።
- 16.16 መጨመር ያለው ስፋት 381 ስኩዌር ሜትር ይሆናል።
- 16.17 መጨመር ያለው ስፋት 381 ስኩዌር ሜትር ይሆናል።



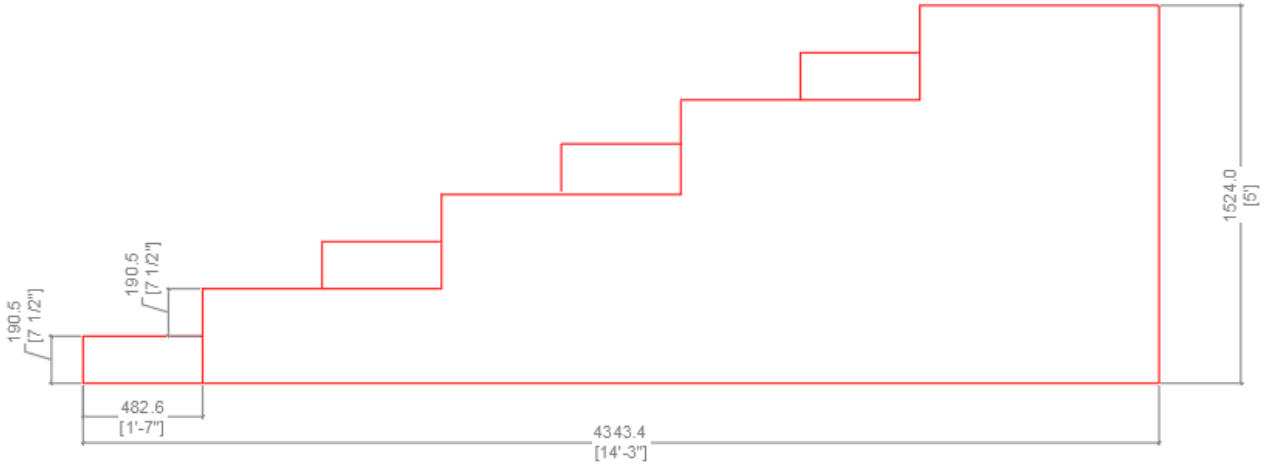
- 16.18 መጨረሻው ላይ ያለውን ስፔሻል ስርዓት ማስፈጸም ይኖርበት ይገባል።
- 16.19 ለግዛቱ ስርዓት ስራዎች ላይ ያለውን ስርዓት ማስፈጸም ይኖርበት ይገባል።
- 16.20 መጨረሻው ላይ ያለውን ስፔሻል ስርዓት ማስፈጸም ይኖርበት ይገባል። ስፔሻል ስርዓት ስራዎች ላይ ያለውን ስርዓት ማስፈጸም ይኖርበት ይገባል።
- 16.21 ስፔሻል ስርዓት ስራዎች ላይ ያለውን ስርዓት ማስፈጸም ይኖርበት ይገባል።
- 16.22 ስፔሻል ስርዓት ስራዎች ላይ ያለውን ስርዓት ማስፈጸም ይኖርበት ይገባል። 2 ስርዓት ስራዎች ይኖራቸዋል።



16.23 16.24 16.25

16.24 381

16.25 2



16.26 2.5

16.27

16.28 15 10

38.1 * 50.8

16.29

16.30 R-12

17. 17.1 17.2 17.3

17.1 1000 * 457.2

76.2

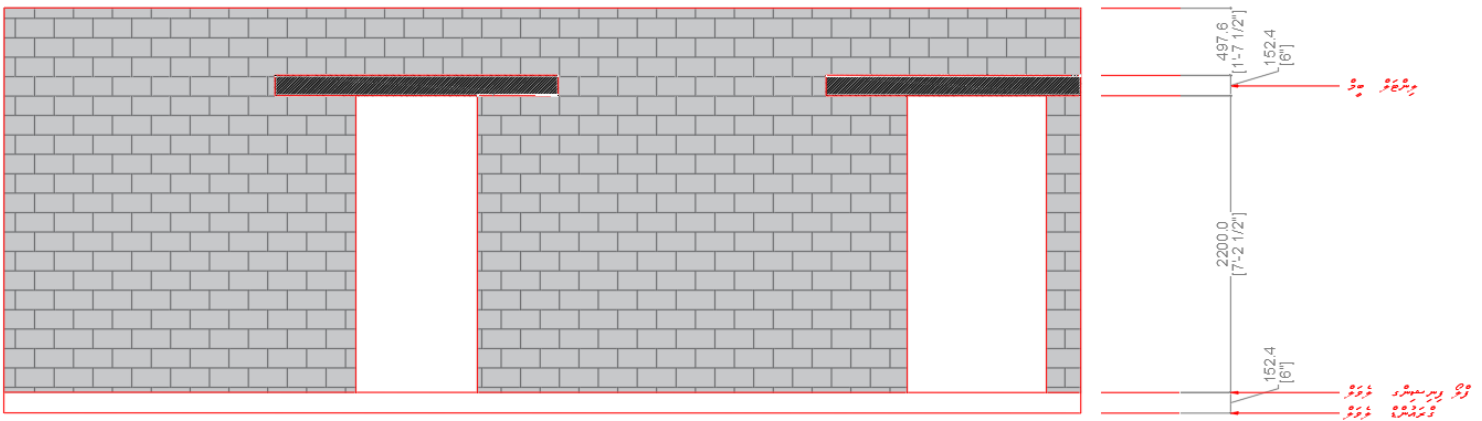
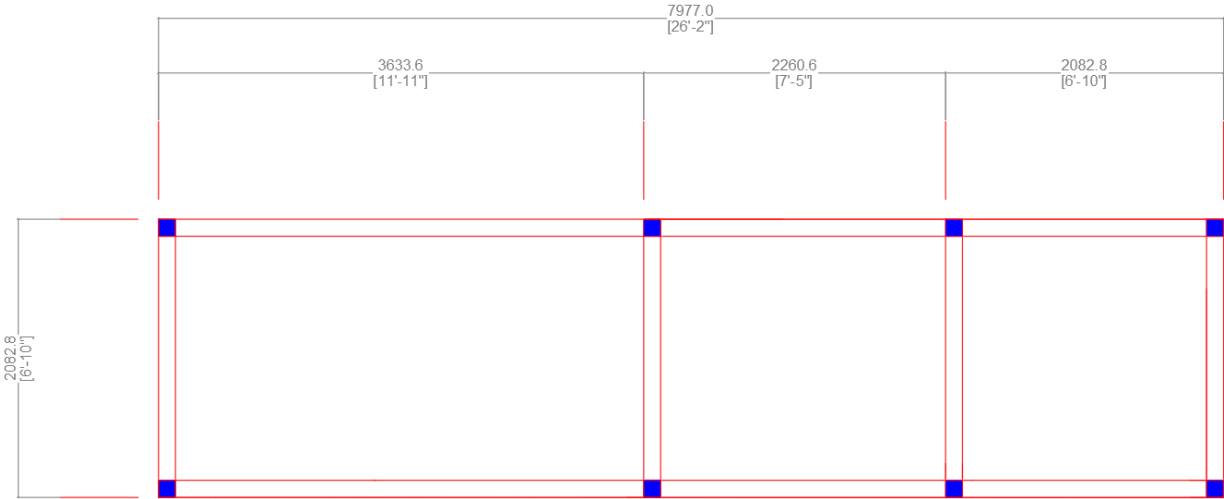
17.2

17.3

18. ጥያቄዎች

ጥያቄዎች ለማሳካት

- 18.1 የጥያቄዎች ስርዓት ለማሳካት የሚያስፈልጉትን ጥያቄዎች 500 ለማሳካት ለማስፈሰስ ይቻላል።
 - 18.2 የጥያቄዎች ስርዓት ለማሳካት የሚያስፈልጉትን ጥያቄዎች 203.2 ለማሳካት ለማስፈሰስ ይቻላል።
 - 18.3 የጥያቄዎች ስርዓት ለማሳካት የሚያስፈልጉትን ጥያቄዎች 1:4 ለማሳካት ለማስፈሰስ ይቻላል። (1 ስርዓት፣ 4 ጥያቄዎች)
 - 18.4 የጥያቄዎች ስርዓት ለማሳካት የሚያስፈልጉትን ጥያቄዎች 1:2:3 ለማሳካት ለማስፈሰስ ይቻላል። (1 ስርዓት፣ 2 ጥያቄዎች፣ 3 ጥያቄዎች)
 - 18.5 የጥያቄዎች ስርዓት ለማሳካት የሚያስፈልጉትን ጥያቄዎች 10 ለማሳካት ለማስፈሰስ ይቻላል። (2 ጥያቄዎች፣ 6 ጥያቄዎች)
- ጥያቄዎች
- 18.6 የጥያቄዎች ስርዓት ለማሳካት የሚያስፈልጉትን ጥያቄዎች ለማሳካት ለማስፈሰስ ይቻላል።
 - 18.7 የጥያቄዎች ስርዓት ለማሳካት የሚያስፈልጉትን ጥያቄዎች ለማሳካት ለማስፈሰስ ይቻላል።
 - 18.8 የጥያቄዎች ስርዓት ለማሳካት የሚያስፈልጉትን ጥያቄዎች ለማሳካት ለማስፈሰስ ይቻላል።
 - 18.9 የጥያቄዎች ስርዓት ለማሳካት የሚያስፈልጉትን ጥያቄዎች ለማሳካት ለማስፈሰስ ይቻላል።
 - 18.10 የጥያቄዎች ስርዓት ለማሳካት የሚያስፈልጉትን ጥያቄዎች ለማሳካት ለማስፈሰስ ይቻላል።
 - 18.11 የጥያቄዎች ስርዓት ለማሳካት የሚያስፈልጉትን ጥያቄዎች 9 ለማሳካት ለማስፈሰስ ይቻላል።
- ጥያቄዎች ለማሳካት
- 18.12 የጥያቄዎች ስርዓት ለማሳካት የሚያስፈልጉትን ጥያቄዎች 50 ለማሳካት ለማስፈሰስ ይቻላል።
 - 18.13 የጥያቄዎች ስርዓት ለማሳካት የሚያስፈልጉትን ጥያቄዎች 10 ለማሳካት ለማስፈሰስ ይቻላል። (1 ጥያቄዎች፣ 1 ጥያቄዎች)
 - 18.14 የጥያቄዎች ስርዓት ለማሳካት የሚያስፈልጉትን ጥያቄዎች ለማሳካት ለማስፈሰስ ይቻላል። (6 ጥያቄዎች)
 - 18.15 የጥያቄዎች ስርዓት ለማሳካት የሚያስፈልጉትን ጥያቄዎች ለማሳካት ለማስፈሰስ ይቻላል። (1 ጥያቄዎች)
 - 18.16 የጥያቄዎች ስርዓት ለማሳካት የሚያስፈልጉትን ጥያቄዎች ለማሳካት ለማስፈሰስ ይቻላል። (6 ጥያቄዎች፣ 10 ጥያቄዎች፣ 1 ጥያቄዎች)
 - 18.17 የጥያቄዎች ስርዓት ለማሳካት የሚያስፈልጉትን ጥያቄዎች ለማሳካት ለማስፈሰስ ይቻላል።



مقدمات

18.18 مقدماتی ڈرائنگز کے ساتھ ساتھ ڈرائنگز کو منظور کیا جائے گا۔

سڈنگز کے ذریعے

18.19 سڈنگز کے ذریعے ڈرائنگز کے ساتھ ساتھ ڈرائنگز کو منظور کیا جائے گا۔

18.20 سڈنگز کے ذریعے ڈرائنگز کے ساتھ ساتھ ڈرائنگز کو منظور کیا جائے گا۔

18.21 سڈنگز کے ذریعے ڈرائنگز کے ساتھ ساتھ ڈرائنگز کو منظور کیا جائے گا۔

18.22 سڈنگز کے ذریعے ڈرائنگز کے ساتھ ساتھ ڈرائنگز کو منظور کیا جائے گا۔ 1:8

ግዴታዎች

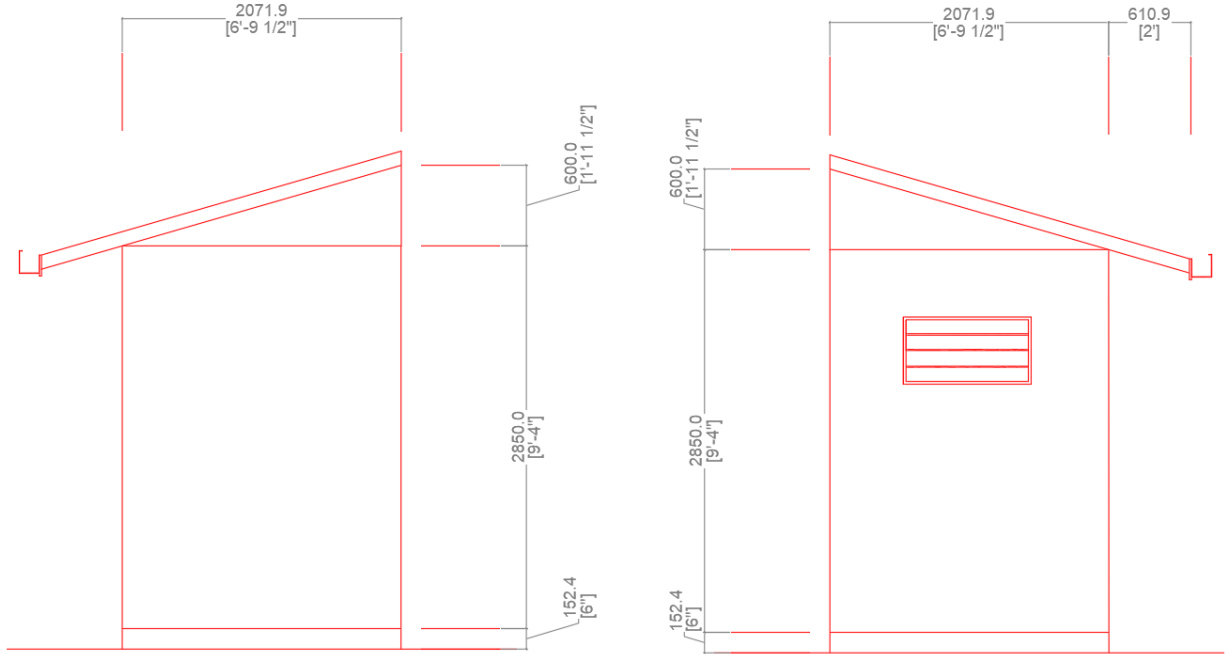
- 18.23 ግዴታዎች ለሚሰጡ ሰራተኞች ስራ ለማድረግ ይገባል።
- 18.24 ግዴታዎች ለሚሰጡ ሰራተኞች ስራ ለማድረግ ይገባል።
- 18.25 ግዴታዎች ለሚሰጡ ሰራተኞች ስራ ለማድረግ ይገባል።
- 18.26 ግዴታዎች ለሚሰጡ ሰራተኞች ስራ ለማድረግ ይገባል። 1:8 ይገባል።

ግዴታዎች

- 18.27 ስራ ለማድረግ ስራ ለማድረግ ይገባል። 600 ሰራተኞች * 600 ሰራተኞች ይገባል።
- 18.28 ስራ ለማድረግ ስራ ለማድረግ ይገባል።
- 18.29 4 ሰራተኞች ስራ ለማድረግ ይገባል።
- 18.30 ስራ ለማድረግ ስራ ለማድረግ ይገባል።
- 18.31 ስራ ለማድረግ ስራ ለማድረግ ይገባል።
- 18.32 ስራ ለማድረግ ስራ ለማድረግ ይገባል።
- 18.33 ስራ ለማድረግ ስራ ለማድረግ ይገባል። 1.5 ሰራተኞች ይገባል።
- 18.34 ስራ ለማድረግ ስራ ለማድረግ ይገባል። 2 ሰራተኞች ይገባል።
- 18.35 ስራ ለማድረግ ስራ ለማድረግ ይገባል።
- 18.36 ስራ ለማድረግ ስራ ለማድረግ ይገባል። 8.5 ሰራተኞች ይገባል። 4 ሰራተኞች ይገባል።

ሰራተኞች ስራ ለማድረግ

- 18.37 ሰራተኞች ስራ ለማድረግ ይገባል።
- 18.38 ሰራተኞች ስራ ለማድረግ ይገባል። 25 ሰራተኞች ይገባል።
- 18.39 ሰራተኞች ስራ ለማድረግ ይገባል። 25 ሰራተኞች ይገባል።
- 18.40 ሰራተኞች ስራ ለማድረግ ይገባል። 32 ሰራተኞች ይገባል።
- 18.41 ሰራተኞች ስራ ለማድረግ ይገባል። 18 ሰራተኞች ይገባል።
- 18.42 ሰራተኞች ስራ ለማድረግ ይገባል።
- 18.43 ሰራተኞች ስራ ለማድረግ ይገባል።
- 18.44 ሰራተኞች ስራ ለማድረግ ይገባል።



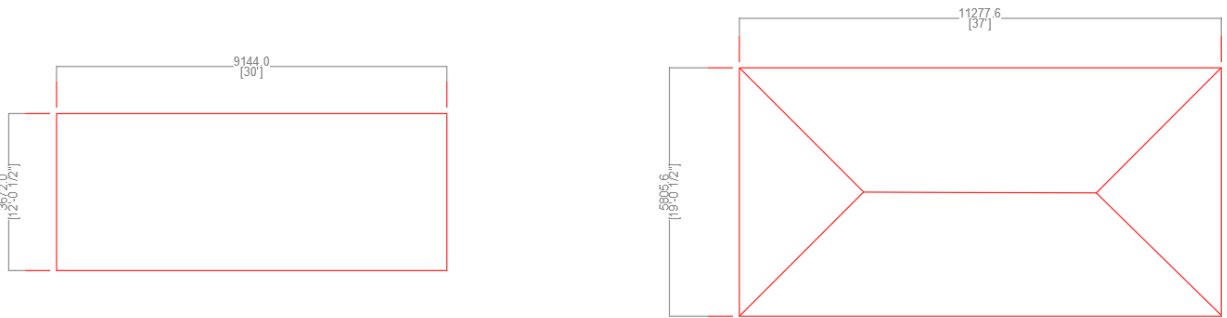
- 18.56 ለገንባታ ስራው የሚያስፈልጉትን ስፋት ለማረጋገጥ ማስፈሰስ ይኖርዎታል። ለዚህም የሚያስፈልጉትን ስፋት ለማረጋገጥ ማስፈሰስ ይኖርዎታል።
- 2 ለገንባታ ስራው የሚያስፈልጉትን ስፋት ለማረጋገጥ ማስፈሰስ ይኖርዎታል። ለዚህም የሚያስፈልጉትን ስፋት ለማረጋገጥ ማስፈሰስ ይኖርዎታል።
- 18.57 ለገንባታ ስራው የሚያስፈልጉትን ስፋት ለማረጋገጥ ማስፈሰስ ይኖርዎታል። ለዚህም የሚያስፈልጉትን ስፋት ለማረጋገጥ ማስፈሰስ ይኖርዎታል።
- 18.58 ለገንባታ ስራው የሚያስፈልጉትን ስፋት ለማረጋገጥ ማስፈሰስ ይኖርዎታል። ለዚህም የሚያስፈልጉትን ስፋት ለማረጋገጥ ማስፈሰስ ይኖርዎታል።
- 18.59 ለገንባታ ስራው የሚያስፈልጉትን ስፋት ለማረጋገጥ ማስፈሰስ ይኖርዎታል። ለዚህም የሚያስፈልጉትን ስፋት ለማረጋገጥ ማስፈሰስ ይኖርዎታል።
- 18.60 ለገንባታ ስራው የሚያስፈልጉትን ስፋት ለማረጋገጥ ማስፈሰስ ይኖርዎታል። ለዚህም የሚያስፈልጉትን ስፋት ለማረጋገጥ ማስፈሰስ ይኖርዎታል።
- 18.61 ለገንባታ ስራው የሚያስፈልጉትን ስፋት ለማረጋገጥ ማስፈሰስ ይኖርዎታል። ለዚህም የሚያስፈልጉትን ስፋት ለማረጋገጥ ማስፈሰስ ይኖርዎታል።
- 18.62 ለገንባታ ስራው የሚያስፈልጉትን ስፋት ለማረጋገጥ ማስፈሰስ ይኖርዎታል። ለዚህም የሚያስፈልጉትን ስፋት ለማረጋገጥ ማስፈሰስ ይኖርዎታል።
- 18.63 ለገንባታ ስራው የሚያስፈልጉትን ስፋት ለማረጋገጥ ማስፈሰስ ይኖርዎታል። ለዚህም የሚያስፈልጉትን ስፋት ለማረጋገጥ ማስፈሰስ ይኖርዎታል።
- 18.64 ለገንባታ ስራው የሚያስፈልጉትን ስፋት ለማረጋገጥ ማስፈሰስ ይኖርዎታል። ለዚህም የሚያስፈልጉትን ስፋት ለማረጋገጥ ማስፈሰስ ይኖርዎታል።
- 18.65 ለገንባታ ስራው የሚያስፈልጉትን ስፋት ለማረጋገጥ ማስፈሰስ ይኖርዎታል። ለዚህም የሚያስፈልጉትን ስፋት ለማረጋገጥ ማስፈሰስ ይኖርዎታል።
- 18.66 ለገንባታ ስራው የሚያስፈልጉትን ስፋት ለማረጋገጥ ማስፈሰስ ይኖርዎታል። ለዚህም የሚያስፈልጉትን ስፋት ለማረጋገጥ ማስፈሰስ ይኖርዎታል።
- 18.67 ለገንባታ ስራው የሚያስፈልጉትን ስፋት ለማረጋገጥ ማስፈሰስ ይኖርዎታል። ለዚህም የሚያስፈልጉትን ስፋት ለማረጋገጥ ማስፈሰስ ይኖርዎታል።

- 20.13 2019-2024 2024-2029 2029-2034 2034-2039 2039-2044 2019-2024 2024-2029 2029-2034 2034-2039 2039-2044
- 20.14 2019-2024 2024-2029 2029-2034 2034-2039 2039-2044 2019-2024 2024-2029 2029-2034 2034-2039 2039-2044
- 20.15 2019-2024 2024-2029 2029-2034 2034-2039 2039-2044 2019-2024 2024-2029 2029-2034 2034-2039 2039-2044
- 20.16 2019-2024 2024-2029 2029-2034 2034-2039 2039-2044 2019-2024 2024-2029 2029-2034 2034-2039 2039-2044
- 20.17 2019-2024 2024-2029 2029-2034 2034-2039 2039-2044 2019-2024 2024-2029 2029-2034 2034-2039 2039-2044
- 20.18 2019-2024 2024-2029 2029-2034 2034-2039 2039-2044 2019-2024 2024-2029 2029-2034 2034-2039 2039-2044



20.19 2019-2024 2024-2029 2029-2034 2034-2039 2039-2044 rattan sofa

21. የስፊት መጠን (30 * 12)



የስፊት መጠን

- 21.1 የስፊት ስፊት መጠን ለመወሰን የሚያስፈልገው 500 ስፊት ስፊት ስፊት ስፊት ነው።
- 21.2 የስፊት ስፊት መጠን ለመወሰን የሚያስፈልገው 152.4 ስፊት ስፊት ስፊት ስፊት ነው።
- 21.3 የስፊት ስፊት መጠን ለመወሰን የሚያስፈልገው ስፊት ስፊት ስፊት ስፊት ነው።
- 21.4 ስፊት ስፊት መጠን ለመወሰን የሚያስፈልገው 10 ስፊት ስፊት ስፊት ስፊት ነው።
- 21.5 የስፊት ስፊት መጠን ለመወሰን የሚያስፈልገው 4 ስፊት ስፊት ስፊት ስፊት ነው።
- 21.6 የስፊት ስፊት መጠን ለመወሰን የሚያስፈልገው 1.5 * 1.5 ስፊት ስፊት ነው።
- 21.7 የስፊት ስፊት መጠን ለመወሰን የሚያስፈልገው 1:2:3 ስፊት ስፊት ነው።

የስፊት መጠን

- 21.8 የስፊት ስፊት መጠን ለመወሰን የሚያስፈልገው 8 ስፊት ስፊት ነው።
- 21.9 የስፊት ስፊት መጠን ለመወሰን የሚያስፈልገው 4 ስፊት ስፊት ነው።
- 21.10 የስፊት ስፊት መጠን ለመወሰን የሚያስፈልገው 16 ስፊት ስፊት ነው።
- 21.11 የስፊት ስፊት መጠን ለመወሰን የሚያስፈልገው 4 ስፊት ስፊት ነው።
- 21.12 የስፊት ስፊት መጠን ለመወሰን የሚያስፈልገው 2 ስፊት ስፊት ነው።
- 21.13 የስፊት ስፊት መጠን ለመወሰን የሚያስፈልገው 2 ስፊት ስፊት ነው።
- 21.14 የስፊት ስፊት መጠን ለመወሰን የሚያስፈልገው 2 ስፊት ስፊት ነው።
- 21.15 የስፊት ስፊት መጠን ለመወሰን የሚያስፈልገው 2 ስፊት ስፊት ነው።

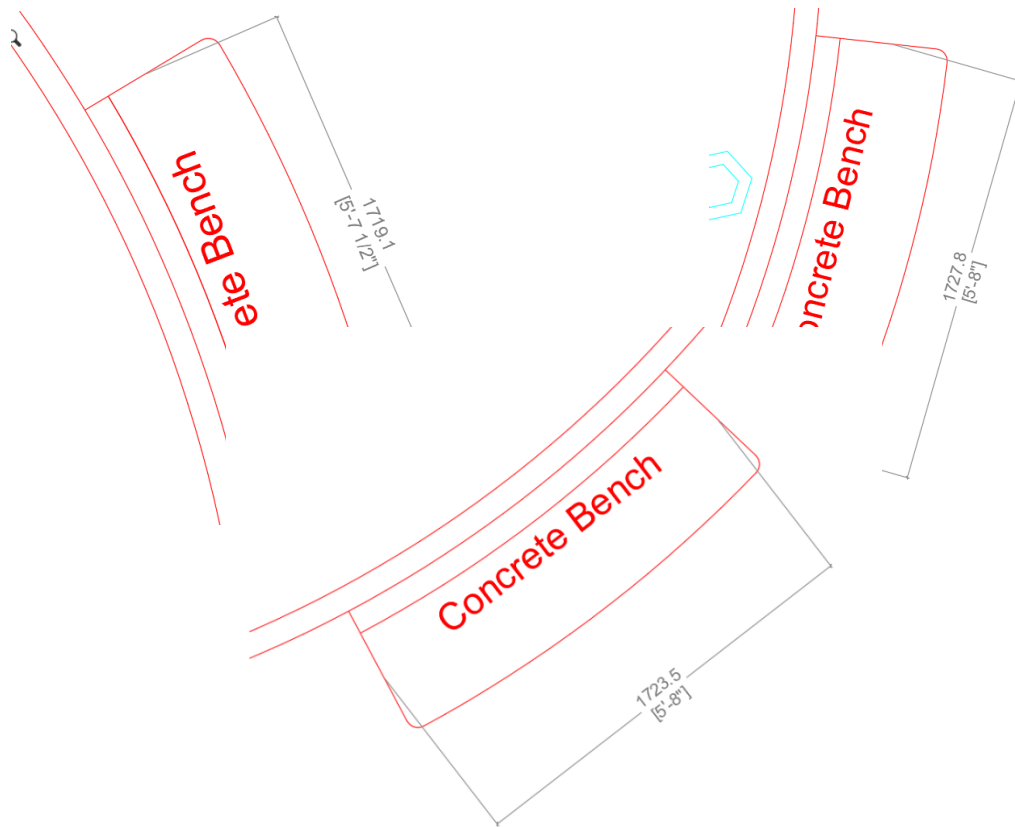
މި ސަރަޙައްދުގައި، ތިރީ ވަނަ ގޮތުގައި ބަޔާންކޮށްފައި

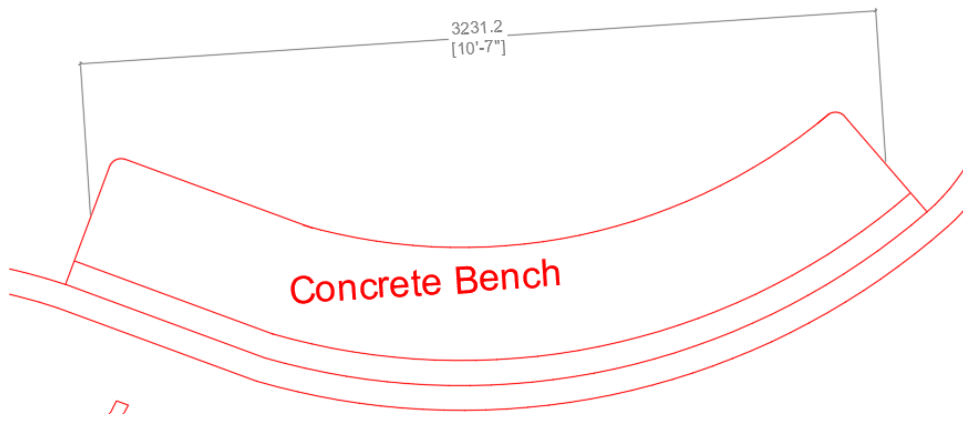
21.16 ބެންޗު ޖަހާނެ ސަރަޙައްދު.

21.17 ވަނަ ގޮތުގައި ބަޔާންކޮށްފައިވާ ސަރަޙައްދު.

21.18 ވަނަ ގޮތުގައި ބަޔާންކޮށްފައިވާ ސަރަޙައްދު.

22. ބެންޗު ޖަހާނެ ސަރަޙައްދު





- 22.1 ބަނޑު ދެކޮޅުގެ ބައި 1:2:3 ގެ ގޮތުގައި ހެއްދެވުމަށް ބޭނުންވާ ފަރާތްތަކަށް.
- 22.2 ބަނޑު ދެކޮޅުގެ ބައި 17 ސެންޓިމީޓަރު ހެއްދެވުމަށް ބޭނުންވާ ފަރާތްތަކަށް.
- 22.3 ބަނޑު ދެކޮޅުގެ ބައި 17 ސެންޓިމީޓަރު ހެއްދެވުމަށް ބޭނުންވާ ފަރާތްތަކަށް.
- 22.4 ބަނޑު ދެކޮޅުގެ ބައި 6 ސެންޓިމީޓަރު ހެއްދެވުމަށް ބޭނުންވާ ފަރާތްތަކަށް.
- 22.5 120 ސެންޓިމީޓަރު ދެކޮޅުގެ ބައި ހެއްދެވުމަށް ބޭނުންވާ ފަރާތްތަކަށް.
- 22.6 ބަނޑު ދެކޮޅުގެ ބައި 17 ސެންޓިމީޓަރު ހެއްދެވުމަށް ބޭނުންވާ ފަރާތްތަކަށް.

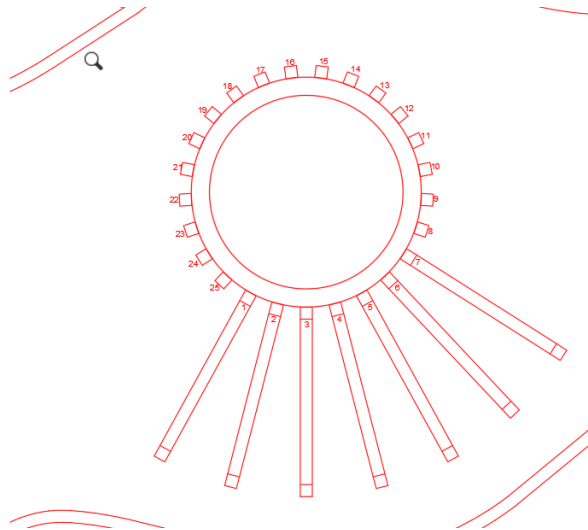


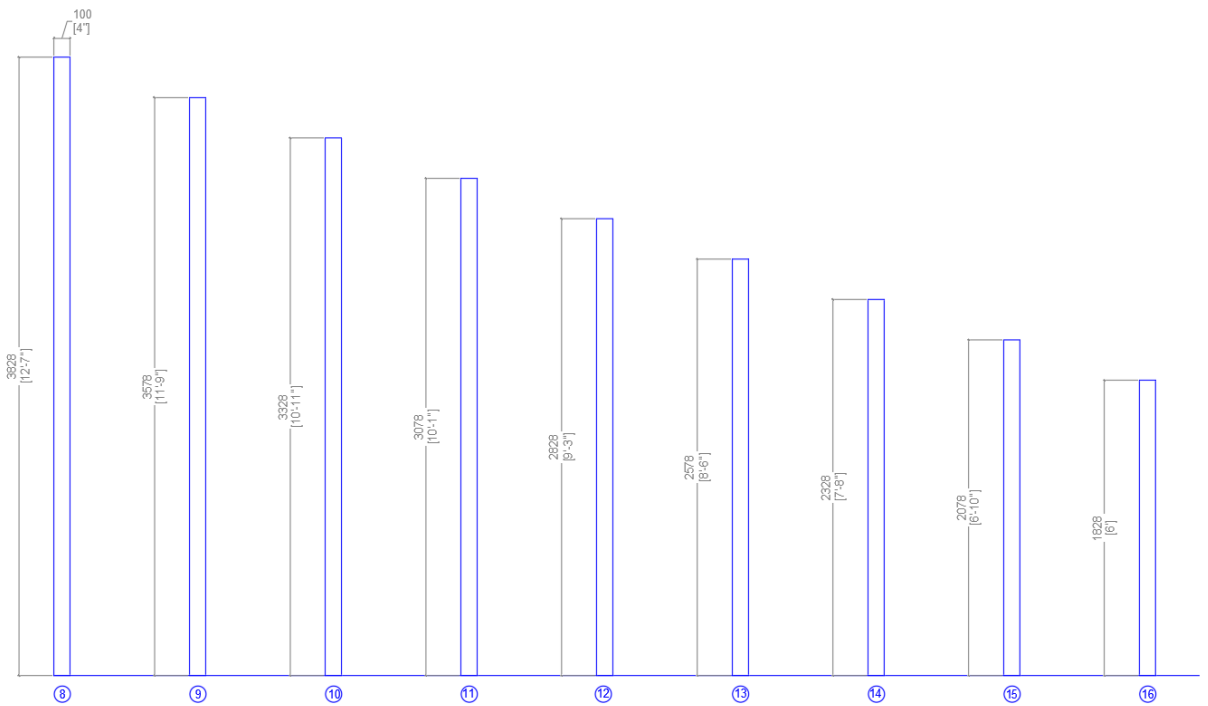
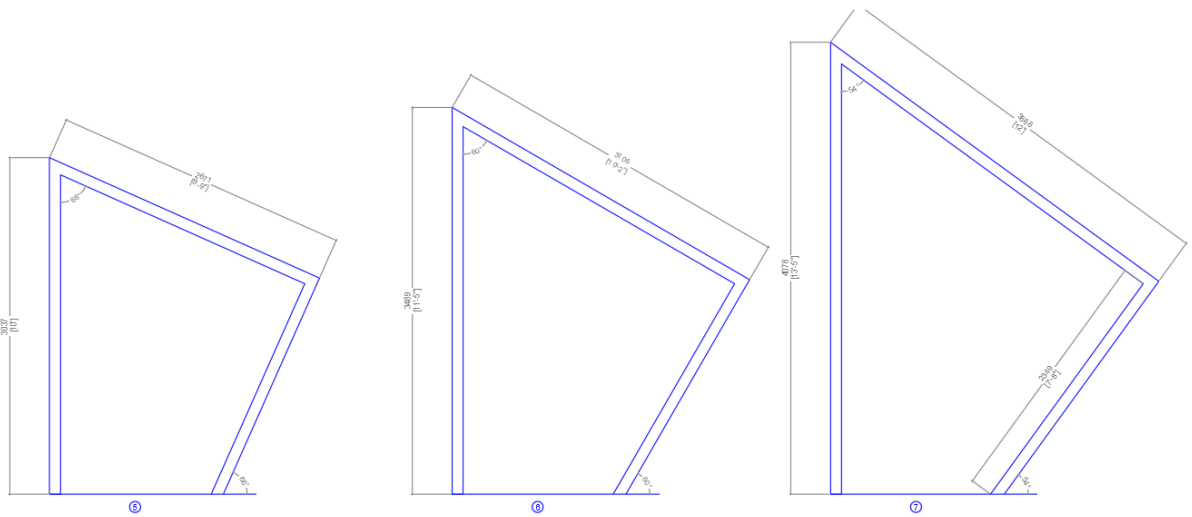
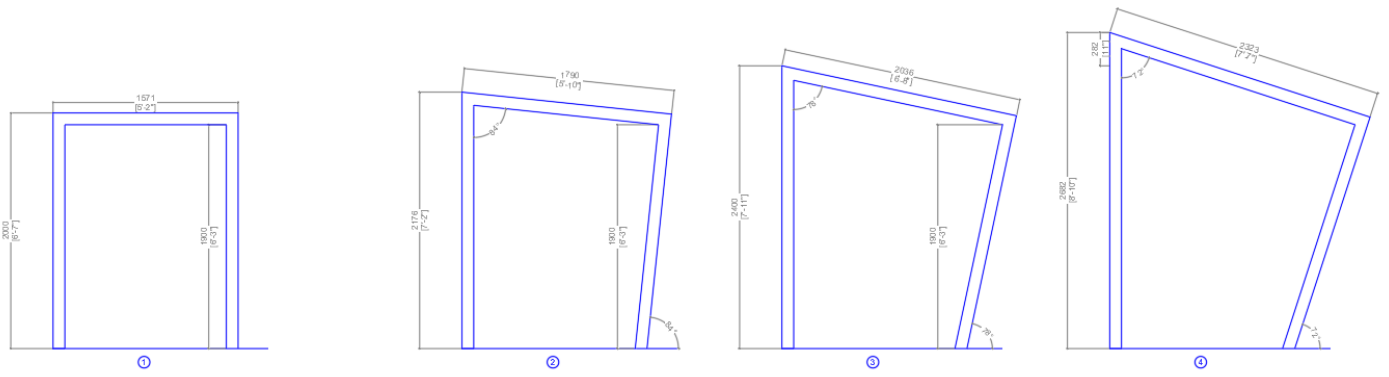
23. 2024-2025 135/266-PR/266-PR/266/2024 (IUL)

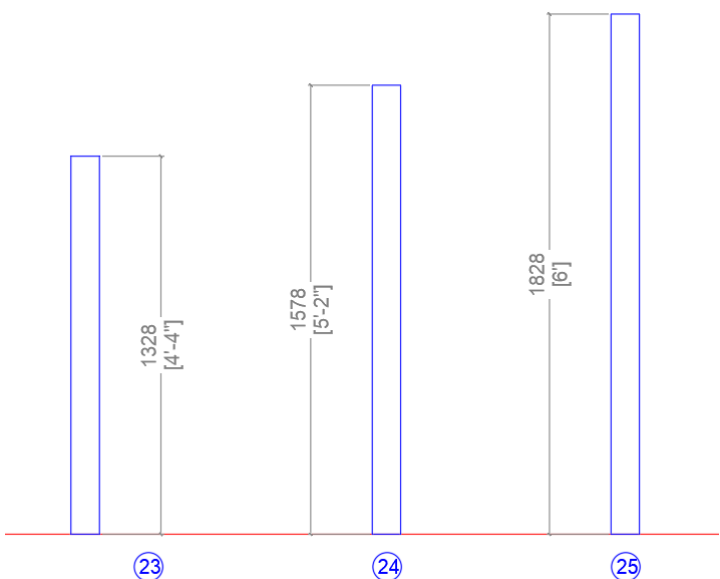
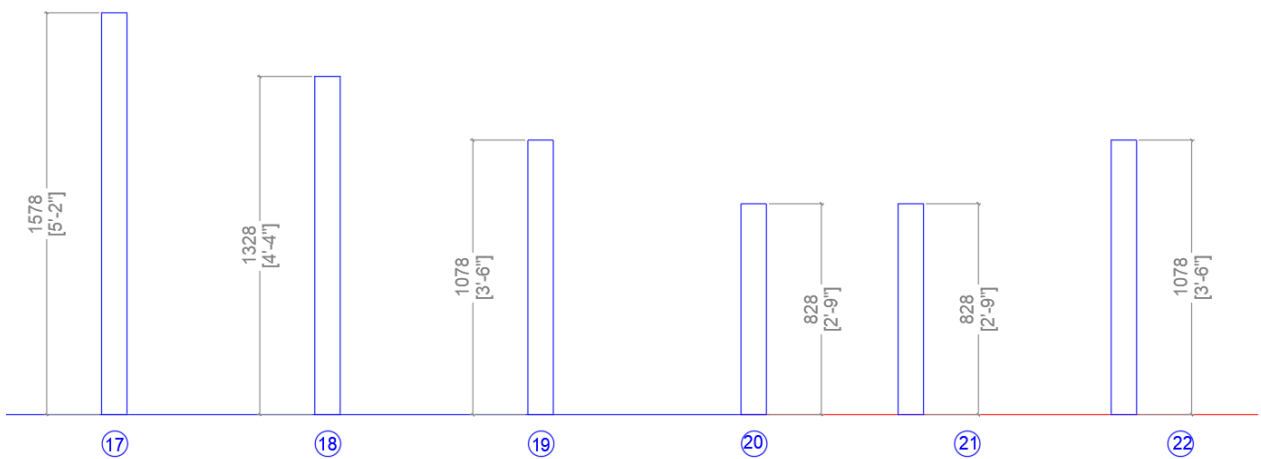
- 23.1 2024-2025 135/266-PR/266-PR/266/2024 (IUL)
- 23.2 2024-2025 135/266-PR/266-PR/266/2024 (IUL)
- 23.3 2024-2025 135/266-PR/266-PR/266/2024 (IUL)
- 23.4 2024-2025 135/266-PR/266-PR/266/2024 (IUL)
- 23.5 2024-2025 135/266-PR/266-PR/266/2024 (IUL)
- 23.6 2024-2025 135/266-PR/266-PR/266/2024 (IUL)

24. 2024-2025 135/266-PR/266-PR/266/2024 (IUL)

- 24.1 2024-2025 135/266-PR/266-PR/266/2024 (IUL)
- 24.2 2024-2025 135/266-PR/266-PR/266/2024 (IUL)



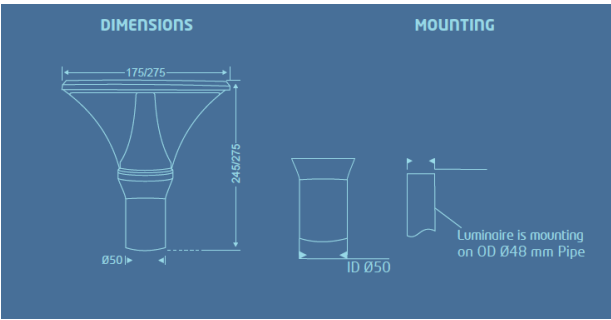
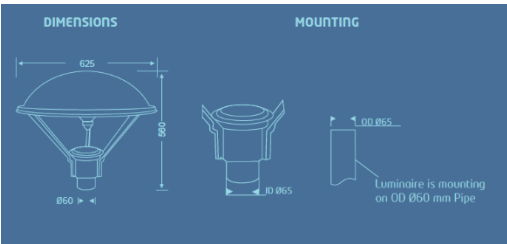
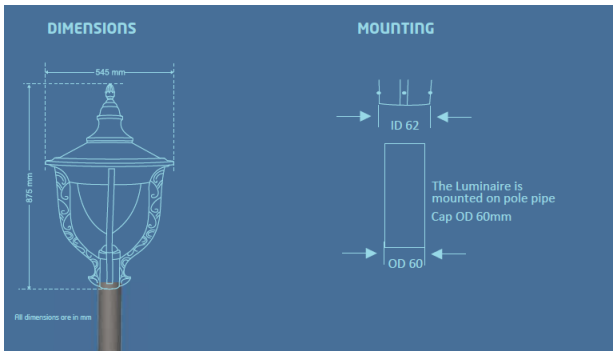
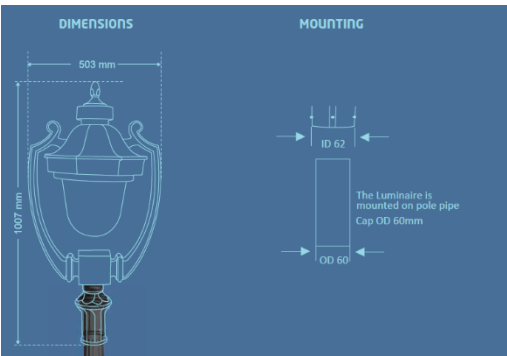
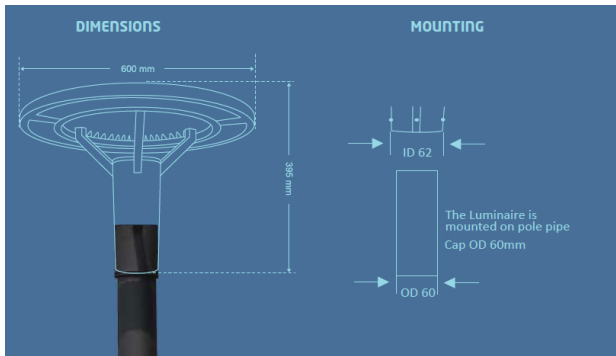


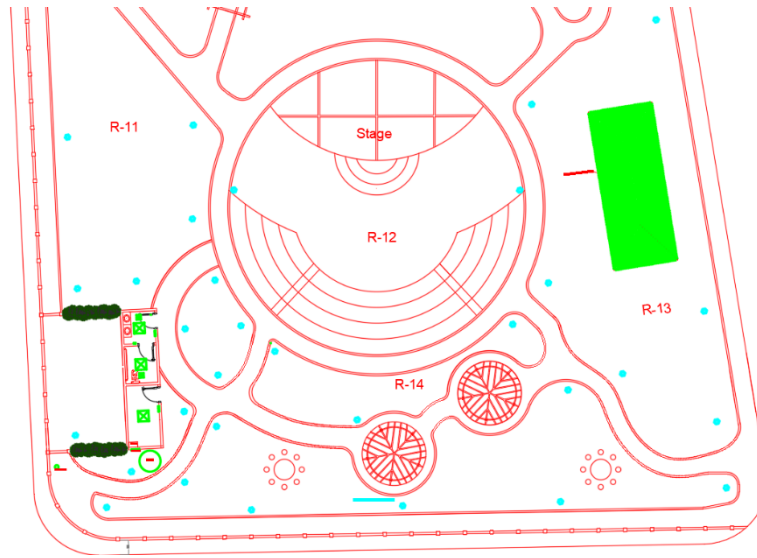
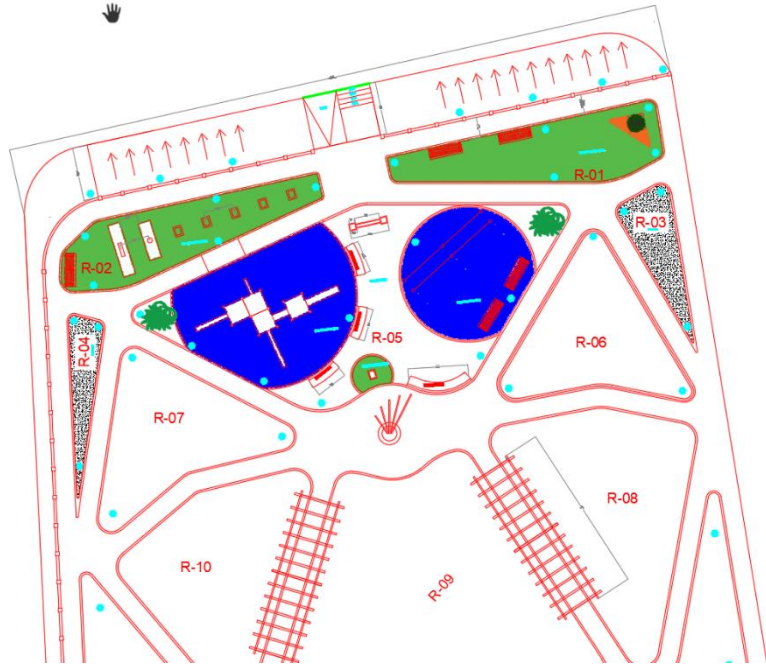


- 24.3 አጠቃላይ ስፋት ለማድረግ የሚያስፈልገው ስፋት 32 ሜትር ሆኖ ይገኛል።
- 24.4 ይህ ስፋት ለማድረግ የሚያስፈልገው ስፋት ሆኖ ይገኛል።
- 24.5 ስፋት 4 ሜትር ሆኖ ይገኛል። ስፋት 5 ሜትር ሆኖ ይገኛል። ስፋት 6 ሜትር ሆኖ ይገኛል። ስፋት 8 ሜትር ሆኖ ይገኛል። ስፋት 12 ሜትር ሆኖ ይገኛል።
- 24.6 ስፋት 2 ሜትር ሆኖ ይገኛል።
- 24.7 ስፋት 2 ሜትር ሆኖ ይገኛል። ስፋት 8 ሜትር ሆኖ ይገኛል። ስፋት 12 ሜትር ሆኖ ይገኛል።
- 24.8 ስፋት 8 ሜትር ሆኖ ይገኛል። ስፋት 8 ሜትር ሆኖ ይገኛል። ስፋት 8 ሜትር ሆኖ ይገኛል። ስፋት 8 ሜትር ሆኖ ይገኛል።
- 24.9 ስፋት 8 ሜትር ሆኖ ይገኛል።
- 24.10 ስፋት 8 ሜትር ሆኖ ይገኛል።

25. ވަނަ ބައި ޖަދުވަލު

- 25.1 ޖަދުވަލު 1 ގައި ވަނަ ބައި ޖަދުވަލު ގައި ބަޔާންކޮށްފައިވާ ވަނަ ބައި ޖަދުވަލު ބޭނުންކުރަންޖެހޭނެއެވެ.
- 25.2 ވަނަ ބައި ޖަދުވަލު 2.5 ޖަދުވަލު.
- 25.3 ޖަދުވަލު 10 ގެ ބޭނުންކުރަންޖެހޭ ޖަދުވަލު 8 ވަނަ ބައި ޖަދުވަލު ބޭނުންކުރަންޖެހޭނެއެވެ. ވަނަ ބައި ޖަދުވަލު 10 ގެ ބޭނުންކުރަންޖެހޭ ޖަދުވަލު 8 ގެ ބޭނުންކުރަންޖެހޭނެއެވެ.
- 25.4 ވަނަ ބައި ޖަދުވަލު 10 ގެ ބޭނުންކުރަންޖެހޭ ޖަދުވަލު 8 ގެ ބޭނުންކުރަންޖެހޭނެއެވެ.
- 25.5 ވަނަ ބައި ޖަދުވަލު 10 ގެ ބޭނުންކުރަންޖެހޭ ޖަދުވަލު 8 ގެ ބޭނުންކުރަންޖެހޭނެއެވެ.
- 25.6 ވަނަ ބައި ޖަދުވަލު 10 ގެ ބޭނުންކުރަންޖެހޭ ޖަދުވަލު 8 ގެ ބޭނުންކުރަންޖެހޭނެއެވެ.
- 25.7 ޖަދުވަލު 10 ގެ ބޭނުންކުރަންޖެހޭ ޖަދުވަލު 8 ގެ ބޭނުންކުރަންޖެހޭނެއެވެ.
- 25.8 ވަނަ ބައި ޖަދުވަލު 10 ގެ ބޭނުންކުރަންޖެހޭ ޖަދުވަލު 8 ގެ ބޭނުންކުރަންޖެހޭނެއެވެ.





26. 2024-2025 2024-2025 2024-2025 2024-2025 2024-2025

- 26.1 2024-2025 2024-2025 2024-2025 2024-2025 2024-2025
- 26.2 2024-2025 2024-2025 2024-2025 2024-2025 2024-2025
- 26.3 2024-2025 2024-2025 2024-2025 2024-2025 2024-2025
- 26.4 2024-2025 2024-2025 2024-2025 2024-2025 2024-2025
- 26.5 2024-2025 2024-2025 2024-2025 2024-2025 2024-2025
- 26.6 2024-2025 2024-2025 2024-2025 2024-2025 2024-2025
- 26.7 2024-2025 2024-2025 2024-2025 2024-2025 2024-2025
- 26.8 2024-2025 2024-2025 2024-2025 2024-2025 2024-2025
- 26.9 2024-2025 2024-2025 2024-2025 2024-2025 2024-2025

2024-2025 2024-2025 2024-2025 2024-2025 2024-2025

ROBUST HYDROPNEUMATIC WATER PRESSURE TANKS

Tank Capacity 100 liters

MATERIALS OF CONSTRUCTION SECTIONAL VIEW

Tank shell – Inner - Polypropylene

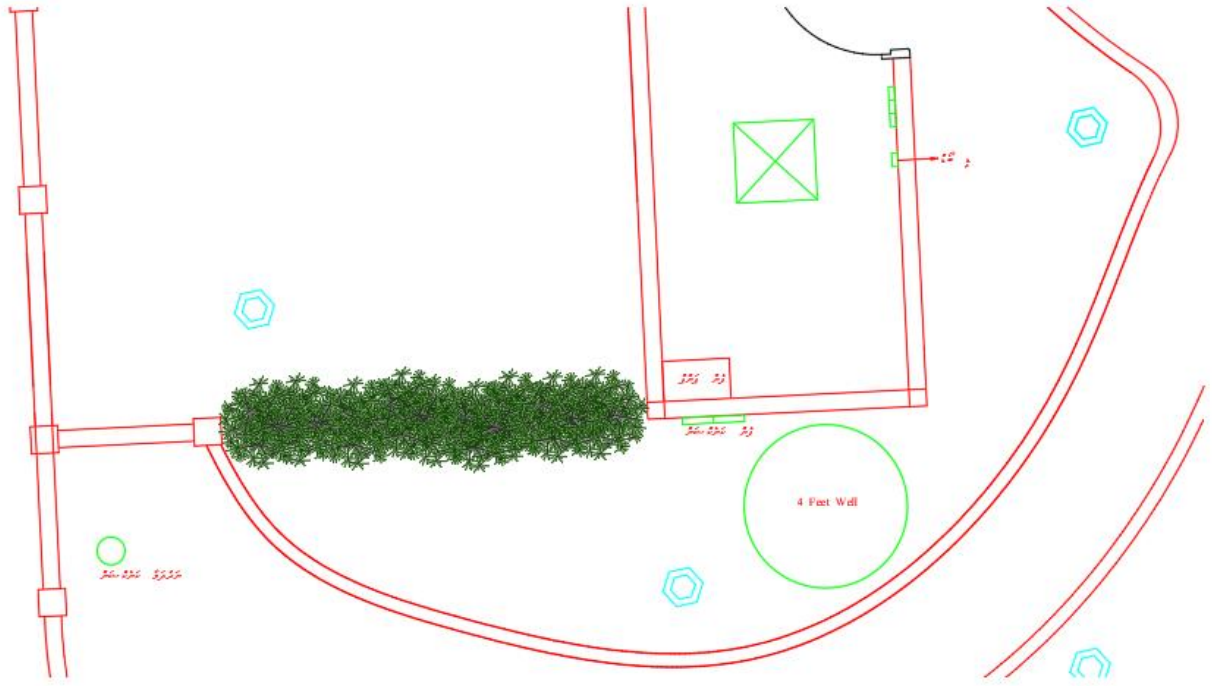
Tank shell – Outer - Continuous strand fibreglass with epoxy seal

Tank inlet - Reinforced plastic

OPERATING LIMITS

Maximum operating pressure - 860 kPa (125 psi)

Tank air pre-charge - 160 kPa



28. 2024-PR/266/2024/135 (IUL) 266-PR/266/2024/135

- 28.1 2024-PR/266/2024/135 (IUL) 266-PR/266/2024/135
- 28.2 2024-PR/266/2024/135 (IUL) 266-PR/266/2024/135
- 28.3 2024-PR/266/2024/135 (IUL) 266-PR/266/2024/135
- 28.4 R6, R7, R8, R10, R11 2024-PR/266/2024/135 (IUL) 266-PR/266/2024/135
- 28.5 2024-PR/266/2024/135 (IUL) 266-PR/266/2024/135
- 28.6 2024-PR/266/2024/135 (IUL) 266-PR/266/2024/135

